

Hub City CleanLine™ Bearing Units

CleanLine™ Features.....	O-2
CleanLine UltraPlus™ Stainless Steel Mounted Bearings.....	O-3 to O-6
CleanLine Plus™ Thermoplastic Composite Mounted Bearings.....	O-7 to O-8
Stainless Steel Bearing Inserts.....	O-9
Thermoplastic Composite Housing Load Ratings.....	O-10
Mounted Bearing Accessories	O-11 to O-13

Over 50 NEW items in this section!

Hub City CleanLine™ Bearing Units

CleanLine UltraPlus™ Stainless Steel Mounted Bearings - Ultimate Solutions

Features:

- 304 Stainless Steel Housing
- 440 Stainless Steel Rings and Balls
- 302 Stainless Steel Flingers and Retainers
- Factory Filled with USDA H1 Lubricant
- Machine Polished to NSF/3-A or Industry Approved Standards
- Bore Sizes Up to 1.9375
- HACCP Compatible



CleanLine Plus™ Thermoplastic Composite Mounted Bearings - Intermediate Solutions

Features:

- Ultradur® Glass Reinforced PBT Thermoplastic Housings
- 440 Stainless Steel Rings and Balls
- 302 Stainless Steel Flingers and Retainers
- Factory Filled with USDA H1 Lubricant
- Smooth Surface for Easy Cleaning
- Bore Sizes Up to 1.5"



DOWNLOAD AVAILABLE CAD MODELS AT: WWW.HUBCITYINC.COM

Certified prints are available upon request

CALL: (605) 225-0360 • FAX: (605) 225-0567

Hub City CleanLine™ Bearing Units

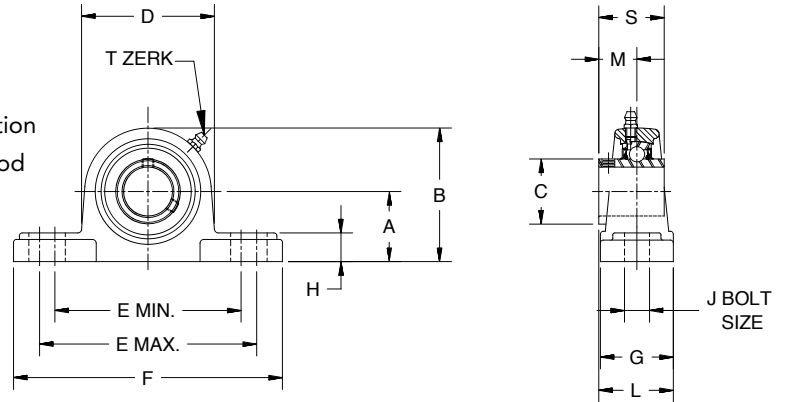
CleanLine UltraPlus™ and Pharmaceutical Stainless Steel Mounted Bearings



Series PB251STW - Pillow Block

Features:

- 440 Stainless Steel Rings and Balls
- 302 Stainless Steel Flingers and Retainers
- Setscrew Lock - Wide Inner Ring
- Factory Filled USDA H1 Lubricant Meets FDA Regulation 178.3570 Requirement for Incidental Contact with Food
- 304 Stainless Steel Setscrews
- Anti Rotation Pin
- 304 Stainless Steel Housing
- No Ribs Undercuts or Protrusions - Easier to Clean
- Stainless Steel Grease Fittings
- Grooved for Composite Dust Caps on One Side, See Page O-13



SHAFT SIZE	A	B	C	D	E MIN.	E MAX.	F	G	H	J	L	M	S	WT. LBS.
1/2, 5/8, 3/4	1.312	2.560	1.114	2.560	3.460	4.020	5.000	1.500	.610	.430	1.470	.720	1.220	1.4
7/8, 1	1.438	2.800	1.340	2.870	3.860	4.410	5.510	1.500	.590	.510	1.530	.779	1.343	1.7
1-1/8, 1-3/16, 1-1/4s	1.688	3.310	1.590	3.390	4.560	4.960	6.500	1.890	.670	.670	1.820	.874	1.500	2.9
1-1/4, 1-3/8, 1-7/16	1.874	3.700	1.846	3.740	4.800	5.200	6.570	1.890	.750	.550	1.820	1.000	1.689	3.5
1-1/2	1.938	3.860	2.060	4.130	5.200	5.590	7.250	2.130	.790	.670	2.250	1.189	1.937	4.4
1-5/8, 1-11/16, 1-3/4	2.125	4.170	2.260	4.410	5.550	5.940	7.480	2.130	.790	.670	2.250	1.189	1.937	5.0
1-15/16	2.250	4.500	2.490	4.690	6.100	6.420	8.070	2.360	.830	.770	2.460	1.283	2.031	5.9

Part Numbers are specified by "PB251STW" and Bore Size. Example: PB251STW x 1.
 For replacement inserts use B250TW Bearing Inserts, O-9
 T-Zerk: 1/4-28 Taper

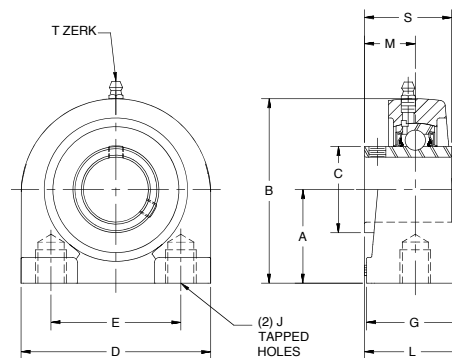
For Load Ratings, See page O-10.

Series TPB250STW - Tapped Base Pillow Block

Features: (same as above)

FOR LUBRICATION AND INSTALLATION INSTRUCTIONS - REFER TO SECTION S

NOTE: PRODUCTS ON THIS PAGE ARE AVAILABLE WITH TRIPLE LIP SEALS (SEE PAGE O-9) TO ORDER ADD SUFFIX L3 (EXAMPLE PB251STWX1L3)



SHAFT SIZE	A	B	C	D	E	G	J - TAPPED HOLES	L	M	S	WT. LBS.
1/2, 5/8, 3/4	1.312	2.560	1.114	2.870	2.000	1.500	3/8-16UNC X .50	1.470	.720	1.206	0.8
7/8, 1	1.437	2.800	1.340	3.000	2.000	1.500	3/8-16UNC X .50	1.530	.776	1.343	0.9
1-1/8, 1-3/16, 1-1/4s	1.687	3.380	1.590	4.000	3.000	1.500	7/16-14UNC X .63	1.620	.874	1.500	1.9
1-1/4, 1-3/8, 1-7/16	1.875	3.740	1.846	4.250	3.250	1.890	1/2-13UNC X .75	1.950	1.000	1.689	2.0
1-1/2	1.937	3.940	2.060	4.610	3.500	1.890	1/2-13UNC X .75	2.130	1.189	1.937	2.8
1-5/8, 1-11/16, 1-3/4	2.125	4.250	2.260	5.000	3.750	2.000	1/2-13UNC X .75	2.190	1.189	1.937	3.3
1-15/16	2.250	4.640	2.490	5.500	4.000	2.000	5/8-11UNC X .79	2.280	1.283	2.031	4.2

Part Numbers are specified by "TPB250STW" and Bore Size. Example: TPB250STW x 3/4.
 For replacement inserts use B250TW Bearing Inserts, O-9
 T-Zerk: 1/4-28 Taper

For Load Ratings, See page O-10.

DOWNLOAD AVAILABLE CAD MODELS AT: WWW.HUBCITYINC.COM

Certified prints are available upon request

EMAIL: hubsales@regalbeloit.com • www.hubcityinc.com

⚠ DIMENSIONS SHOWN ARE FOR REFERENCE ONLY.



Hub City CleanLine™ Bearing Units

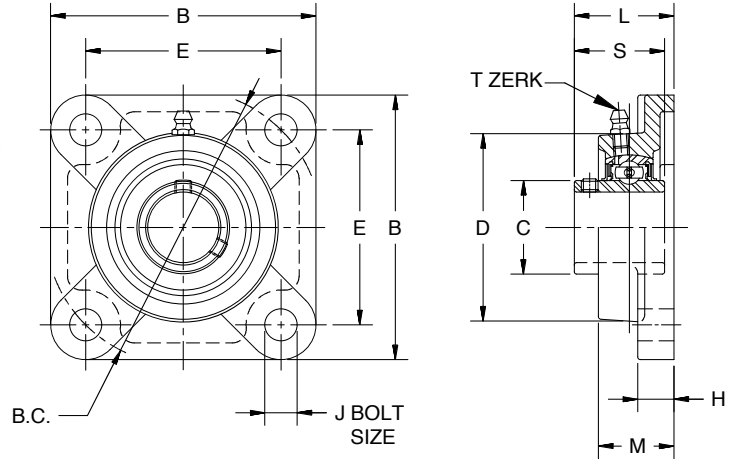
CleanLine UltraPlus™ and Pharmaceutical Stainless Steel Mounted Bearings



Series FB250STW - Four Bolt Flange Blocks

Features:

- 440 Stainless Steel Rings and Balls
- 302 Stainless Steel Flingers and Retainers
- Setscrew Lock - Wide Inner Ring
- Factory Filled USDA H1 Lubricant Meets FDA Regulation 178.3570 Requirement for Incidental Contact with Food
- 304 Stainless Steel Setscrews
- Anti Rotation Pin
- 304 Stainless Steel Housing
- No Ribs - Undercuts or Protrusions Easier to Clean
- Stainless Steel Grease Fittings
- Grooved for Composite Dust Caps on One Side, See Page O-13



SHAFT SIZE	B	B.C.	C	D	E	H	J	L	M	S	WT. LBS.
1/2, 5/8, 3/4	3.380	3.563	1.114	2.360	2.520	.470	.472	1.311	1.040	1.220	1.3
7/8, 1	3.740	3.898	1.340	2.800	2.756	.510	.472	1.409	1.060	1.342	1.8
1-1/8, 1-3/16, 1-1/4s	4.250	4.622	1.590	3.190	3.268	.510	.472	1.583	1.220	1.500	2.4
1-1/4, 1-3/8, 1-7/16	4.610	5.122	1.846	3.620	3.622	.540	.551	1.748	1.340	1.689	3.5
1-1/2	5.120	5.679	2.060	4.090	4.016	.590	.630	2.016	1.420	1.937	4.2
1-5/8, 1-11/16, 1-3/4	5.390	5.846	2.260	4.250	4.134	.630	.630	2.055	1.500	1.937	5.3
1-15/16	5.570	6.180	2.490	4.450	4.370	.630	.630	2.150	1.570	2.031	5.7

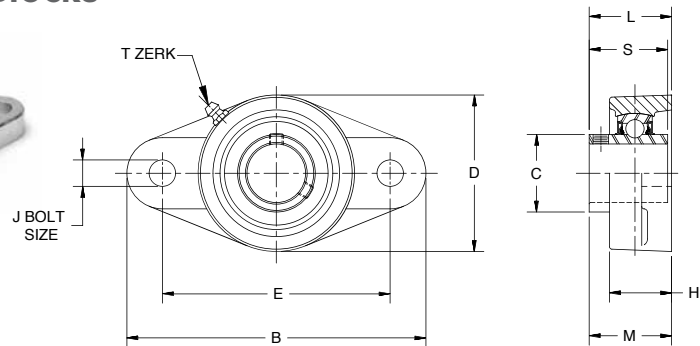
Part Numbers are specified by "FB250STW" and Bore Size. Example: FB250STW x 3/4.
For replacement inserts use B250TW Bearing Inserts, O-9.
T-Zerk: 1/4-28 Taper

For Load Ratings, See page O-10.

Series FB260STW - Two Bolt Flange Blocks

Features: (same as above)

FOR LUBRICATION AND INSTALLATION
INSTRUCTIONS - REFER TO SECTION S



NOTE: PRODUCTS ON THIS PAGE ARE AVAILABLE WITH
TRIPLE LIP SEALS (SEE PAGE O-9)
TO ORDER ADD SUFFIX L3 (EXAMPLE PB2515TWX1L3)

SHAFT SIZE	B	C	D	E	H	J	L	M	S	WT. LBS.
1/2, 5/8, 3/4	4.450	1.114	2.360	3.543	.400	.472	1.311	1.040	1.220	1.1
7/8, 1	5.120	1.340	2.680	3.898	.510	.492	1.409	1.060	1.342	1.4
1-1/8, 1-3/16, 1-1/4s	5.830	1.590	3.150	4.606	.510	.492	1.583	1.220	1.500	1.9
1-1/4, 1-3/8, 1-7/16	6.340	1.846	3.540	5.118	.630	.551	1.748	1.340	1.689	2.6
1-1/2	6.890	2.060	3.940	5.669	.630	.551	2.016	1.420	1.937	3.5
1-5/8, 1-11/16, 1-3/4	7.440	2.260	4.220	5.827	.590	.630	2.055	1.500	1.937	4.2
1-15/16	7.750	2.490	4.530	6.181	.630	.630	2.150	1.570	2.031	5.1

Part Numbers are specified by "FB260STW" and Bore Size. Example: FB260STW x 3/4.
For replacement inserts use B250TW Bearing Inserts, O-9.
T-Zerk: 1/4-28 Taper

For Load Ratings, See page O-10.

† DIMENSIONS SHOWN ARE FOR REFERENCE ONLY.

DOWNLOAD AVAILABLE CAD MODELS AT: WWW.HUBCITYINC.COM

Certified prints are available upon request

CALL: (605) 225-0360 • FAX: (605) 225-0567

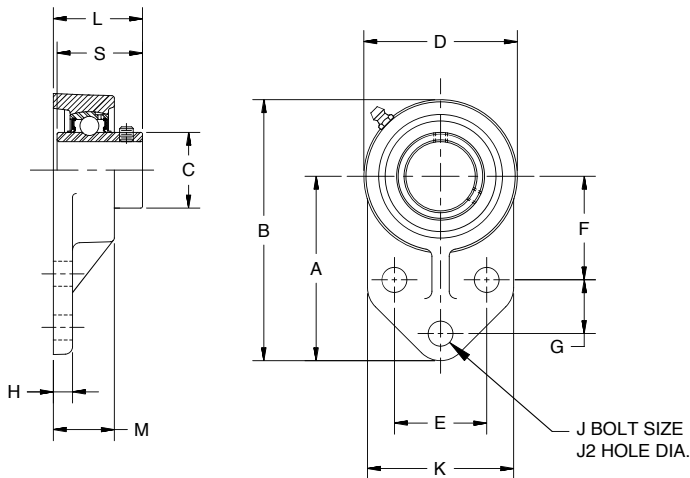
Hub City CleanLine™ Bearing Units



Series FR250STW - Three Bolt Flange Bracket

Features:

- 440 Stainless Steel Rings and Balls
- 302 Stainless Steel Fingers and Retainers
- Setscrew Lock - Wide Inner Ring
- Factory Filled USDA H1 Lubricant Meets FDA Regulation 178.3570 Requirement for Incidental Contact with Food
- 304 Stainless Steel Setscrews
- Anti Rotation Pin
- 304 Stainless Steel Housing
- No Ribs - Undercuts or Protrusions Easier to Clean
- Stainless Steel Grease Fittings
- Grooved for Composite Dust Caps on One Side, See Page O-13

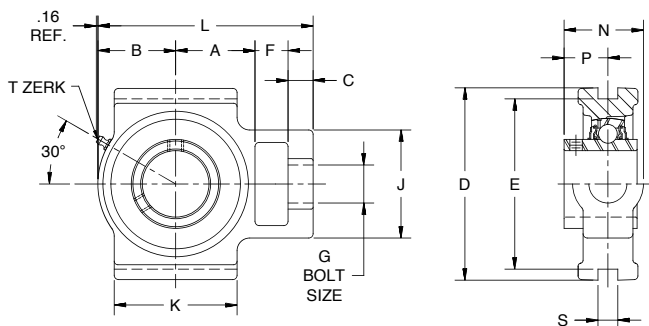


SHAFT SIZE	A	B	C	D	E	F	G	H	J	J2	K	L	M	S	WT LBS
1/2, 5/8, 3/4	3.000	4.250	1.114	2.500	1.500	1.688	.875	.310	0.313	.394	2.380	1.350	1.080	1.220	1.3
7/8, 1	3.380	4.750	1.340	2.750	1.625	1.812	1.125	.380	0.313	.394	2.500	1.448	1.140	1.343	1.8
1-1/8, 1-3/16, 1-1/4s	3.750	5.380	1.590	3.250	1.875	2.063	1.250	.380	0.313	.394	2.750	1.622	1.260	1.500	2.4
1-1/4, 1-3/8, 1-7/16	4.250	6.120	1.846	3.750	2.000	2.375	1.250	.500	0.438	.472	3.250	1.827	1.460	1.689	3.5
1-1/2	4.500	6.440	2.060	3.940	2.000	2.375	1.625	.630	0.375	.472	3.060	2.016	1.340	1.937	4.2
1-5/8, 1-11/16, 1-3/4	4.750	6.870	2.260	4.180	2.125	2.562	1.688	.720	0.375	.472	3.130	2.016	1.380	1.937	5.3
1-15/16	5.180	7.500	2.490	4.650	2.750	2.937	1.625	.500	0.438	.512	4.000	2.110	1.500	2.031	5.7

Part Numbers are specified by "FR250STW" and Bore Size. Example: FR250STW x 3/4.
For replacement inserts use B250TW Bearing Inserts, O-9.
T-Zerk: 1/4-28 Taper

For Load Ratings, See page O-10.

Series TU250STW - Take Up Unit



Features: (same as above)

FOR LUBRICATION AND INSTALLATION INSTRUCTIONS - REFER TO SECTION S

NOTE: PRODUCTS ON THIS PAGE ARE AVAILABLE WITH TRIPLE LIP SEALS (SEE PAGE O-9)
TO ORDER ADD SUFFIX L3 (EXAMPLE PB2515TWX1L3)

SHAFT SIZE	A	B	C	D	E	F	G	J	K	L	N	P	S	WT LBS
1/2, 5/8, 3/4	1.330	1.220	.280	3.440	3.000	.630	.750	1.850	1.850	3.460	1.350	.720	.3110	1.8
7/8, 1	1.410	1.340	.280	3.440	3.000	.630	.750	1.850	1.850	3.660	1.410	.779	.3110	2.7
1-1/8, 1-3/16, 1-1/4s	1.700	1.610	.350	3.940	3.504	.750	.870	2.240	2.090	4.290	1.600	.874	.3110	3.6
1-1/4, 1-3/8, 1-7/16	1.890	1.850	.350	3.940	3.504	.750	.870	2.240	2.360	4.720	1.730	1.000	.3110	5.0
1-1/2	2.040	2.050	.470	4.440	4.000	.750	1.140	3.150	2.950	5.310	1.950	.984	.3110	6.2
1-5/8, 1-11/16, 1-3/4	2.050	2.200	.550	4.440	4.000	.750	1.140	3.150	3.110	5.550	2.190	1.220	.3110	7.3
1-15/16	2.200	2.320	.550	4.440	4.000	.750	1.140	3.230	3.230	5.820	2.250	1.283	.3110	8.0

Part Numbers are specified by "TU250STW" and Bore Size. Example: TU250STW x 3/4.
For replacement inserts use B250TW Bearing Inserts, O-9.
T-Zerk: 1/4-28 Taper

For Load Ratings, See page O-10.

DOWNLOAD AVAILABLE CAD MODELS AT: WWW.HUBCITYINC.COM

Certified prints are available upon request

EMAIL: hubsales@regalbeloit.com • www.hubcityinc.com

¶ DIMENSIONS SHOWN ARE FOR REFERENCE ONLY.



Hub City CleanLine™ Bearing Units

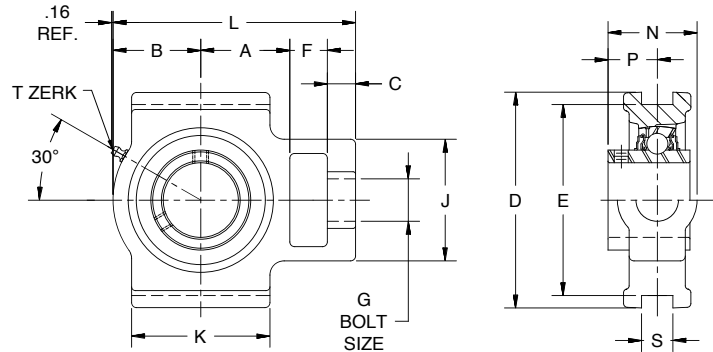
CleanLine UltraPlus™ and Pharmaceutical Stainless Steel Mounted Bearings



Series WSTU250STW - Wide Slot Take Up Unit

Features:

- 440 Stainless Steel Rings and Balls
- 302 Stainless Steel Flingers and Retainers
- Setscrew Lock - Wide Inner Ring
- Factory Filled USDA H1 Lubricant Meets FDA Regulation 178.3570 Requirement for Incidental Contact with Food
- 304 Stainless Steel Setscrews
- Anti Rotation Pin
- 304 Stainless Steel Housing
- No Ribs - Undercuts or Protrusions Easier to Clean
- Stainless Steel Grease Fittings
- Grooved for Composite Dust Caps on One Side, See Page O-13



SHAFT SIZE	A	B	C	D	E	F	G	J	K	L	N	P	S	WT LBS
1/2, 5/8, 3/4	1.330	1.220	.280	3.440	3.000	.630	.750	1.850	1.850	3.460	1.350	.720	.531	1.8
7/8, 1	1.410	1.340	.280	3.440	3.000	.630	.750	1.850	1.850	3.660	1.410	.779	.531	2.7
1-1/8, 1-3/16, 1-1/4s	1.700	1.610	.350	3.940	3.504	.750	.870	2.240	2.090	4.290	1.600	.874	.531	3.6
1-1/4, 1-3/8, 1-7/16	1.890	1.850	.350	3.940	3.504	.750	.870	2.240	2.360	4.720	1.730	1.000	.531	5.0
1-1/2	2.040	2.050	.470	4.440	4.000	.750	1.140	3.150	2.950	5.310	1.950	.984	.689	6.2
1-5/8, 1-11/16, 1-3/4	2.050	2.200	.550	4.440	4.000	.750	1.140	3.150	3.110	5.550	2.190	1.220	.689	7.3
1-15/16	2.200	2.320	.550	4.440	4.000	.750	1.140	3.230	3.230	5.820	2.250	1.283	.689	8.0

Part Numbers are specified by "WSTU250STW" and Bore Size. Example: WSTU250STW x 3/4.
For replacement inserts use B250TW Bearing Inserts, O-9.
T-Zerk: 1/4-28 Taper

For Load Ratings, See page O-10.

FOR LUBRICATION AND INSTALLATION
INSTRUCTIONS - REFER TO SECTION S

NOTE: PRODUCTS ON THIS PAGE ARE AVAILABLE
WITH TRIPLE LIP SEALS (SEE PAGE O-9)
TO ORDER ADD SUFFIX L3 (EXAMPLE
PB2515TWX1L3)

DOWNLOAD AVAILABLE CAD MODELS AT: WWW.HUBCITYINC.COM

Certified prints are available upon request

CALL: (605) 225-0360 • FAX: (605) 225-0567

Hub City CleanLine™ Bearing Units

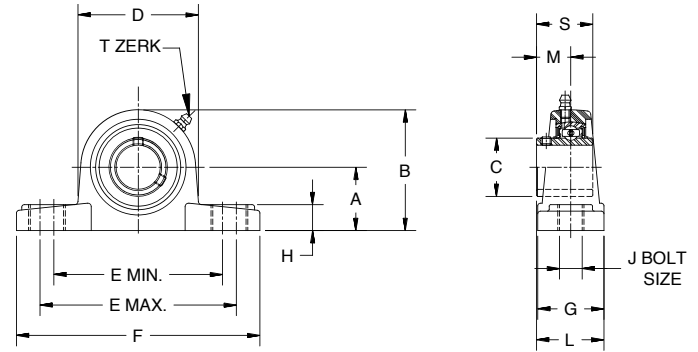
CleanLine Plus™ Thermoplastic Composite Mounted Bearings



Series PB251CTW - Pillow Blocks

Features:

- 440 Stainless Steel Rings and Balls
- 302 Stainless Steel Flingers and Retainers
- Setscrew Lock - Wide Inner Ring
- Factory Filled USDA H1 Lubricant Meets FDA Regulation 178.3570 Requirement for Incidental Contact with Food
- 304 Stainless Steel Setscrews
- Anti Rotation Pin
- Ultradur Glass Reinforced PBT Thermoplastic Housing
- Tensile Strength 16700 psi at Room Temperature
- Stainless Steel Bushings in All Bolt Holes
- Stainless Steel Insert for Zerk Threads
- Stainless Steel Zerks
- Moisture Resistant
- Corrosion Resistant
- Grooved for Composite Dust Caps on One Side, See Page O-13
- Smooth Surface with No Ribs for Easy Cleaning



NOTE: PRODUCTS ON THIS PAGE ARE AVAILABLE WITH TRIPLE LIP SEALS (SEE PAGE O-9) TO ORDER ADD SUFFIX L3 (EXAMPLE PB2515TWX1L3)

SHAFT SIZE	A	B	C	D	E MIN.	E MAX.	F	G	H	J	L	M	S	WT. LBS.
1/2, 5/8, 3/4	1.312	2.560	1.114	2.770	3.660	3.820	5.000	1.500	.560	.430	1.470	.720	1.220	.07
7/8, 1	1.438	2.800	1.339	3.080	4.010	4.250	5.510	1.500	.560	.550	1.530	.779	1.343	.07
1-1/8, 1-3/16, 1-1/4s	1.688	3.270	1.590	3.620	4.560	4.800	6.380	1.810	.680	.550	1.780	.874	1.500	1.2
1-1/4, 1-3/8, 1-7/16	1.875	3.700	1.846	3.970	4.880	5.120	6.570	1.890	.700	.550	1.940	1.000	1.689	1.6
1-1/2	1.938	3.860	2.060	4.360	5.270	5.510	7.240	2.130	.770	.550	2.250	1.189	1.937	2.3

Part Numbers are specified by "PB251CTW" and Bore Size. Example: PB251CTW x 3/4.
For replacement inserts use B250TW Bearing Inserts, O-9.
T-Zerk: 1/4-28 Taper

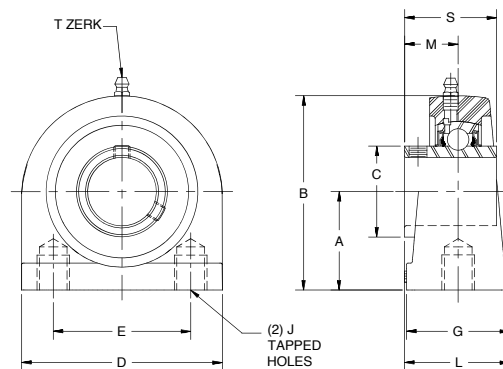
For Load Ratings, See page O-10 & O-11.

Series TPB250CTW - Tapped Base Pillow Blocks



Features: (same as above)

FOR LUBRICATION AND INSTALLATION INSTRUCTIONS - REFER TO SECTION S



SHAFT SIZE	A	B	C	D	E	G	J - TAPPED HOLES	L	M	S	WT. LBS.
1/2, 5/8, 3/4	1.312	2.600	1.114	2.870	2.000	1.360	3/8-16UNC X .44	1.401	.720	1.206	0.6
7/8, 1	1.437	2.830	1.340	3.000	2.000	1.560	3/8-16UNC X .47	1.560	.779	1.343	0.7
1-1/8, 1-3/16, 1-1/4s	1.687	3.310	1.590	4.000	3.000	1.670	7/16-14UNC X .69	1.709	.874	1.500	1.1
1-1/4, 1-3/8, 1-7/16	1.875	3.700	1.846	4.330	3.250	1.890	1/2-13UNC X .63	1.950	1.000	1.689	1.6
1-1/2	1.937	3.980	2.060	4.720	3.500	1.890	1/2-13UNC X .63	2.134	1.189	1.937	2.2

Part Numbers are specified by "TPB250CTW" and Bore Size. Example: TPB250CTW x 1.
For replacement inserts use B250TW Bearing Inserts, O-9.
T-Zerk: 1/4-28 Taper

For Load Ratings, See page O-10 & O-11.

DOWNLOAD AVAILABLE CAD MODELS AT: WWW.HUBCITYINC.COM

Certified prints are available upon request

EMAIL: hubsales@regalbeloit.com • www.hubcityinc.com

⚠ DIMENSIONS SHOWN ARE FOR REFERENCE ONLY.



Hub City CleanLine™ Bearing Units

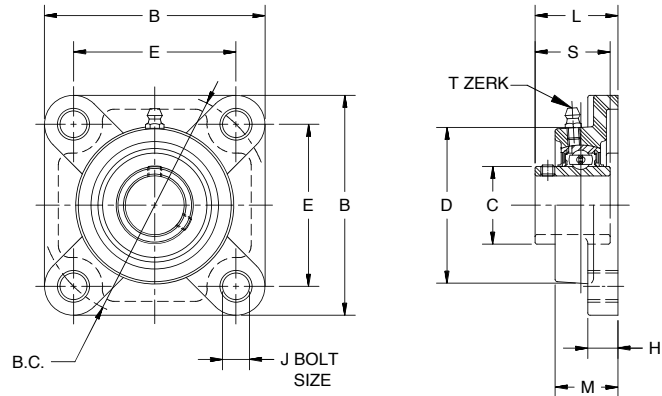
CleanLine UltraPlus™ Thermoplastic Composite Mounted Bearings



Series FB250CTW - Four Bolt Flange Blocks

Features:

- 440 Stainless Steel Rings and Balls
- 302 Stainless Steel Flingers and Retainers
- Setscrew Lock - Wide Inner Ring
- Factory Filled USDA H1 Lubricant Meets FDA Regulation 178.3570 Requirement for Incidental Contact with Food
- 304 Stainless Steel Setscrews
- Anti Rotation Pin
- Ultradur Glass Reinforced PBT Thermoplastic Housing
- Tensile Strength 16700 psi at Room Temperature
- Stainless Steel Bushings in All Bolt Holes
- Stainless Steel Insert for Zerk Threads
- Stainless Steel Zerks
- Moisture Resistant
- Corrosion Resistant
- Grooved for Composite Dust Caps on One Side, See Page O-37
- Smooth Surface with No Ribs for Easy Cleaning



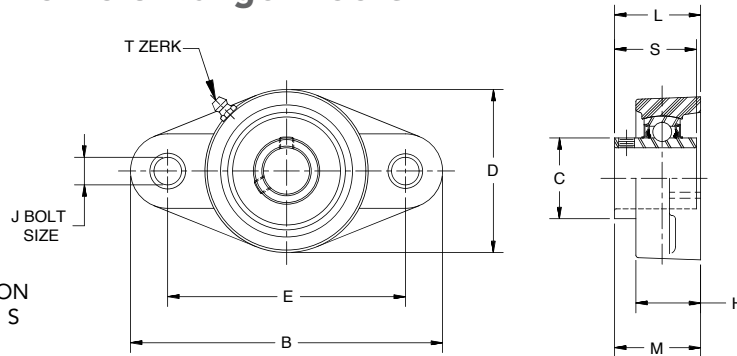
SHAFT SIZE	B	B.C.	C	D	E	H	J	L	M	S	WT. LBS.
1/2, 5/8, 3/4	3.380	3.535	1.110	2.360	2.500	.512	.433	1.311	1.100	1.220	.07
7/8, 1	3.740	3.898	1.340	2.800	2.756	.551	.433	1.448	1.100	1.342	.08
1-1/8, 1-3/16, 1-1/4s	4.220	4.622	1.590	3.190	3.268	.551	.433	1.622	1.220	1.500	1.1
1-1/4, 1-3/8, 1-7/16	4.650	5.122	1.850	3.620	3.622	.591	.512	1.846	1.300	1.689	1.6
1-1/2	5.120	5.679	2.060	4.090	4.016	.669	.551	2.095	1.500	1.937	2.3

Part Numbers are specified by "FB250CTW" and Bore Size. Example: FB250CTW x 3/4.
 For replacement inserts use B250TW Bearing Inserts, O-9
 T-Zerk: 1/4-28 Taper

For Load Ratings, See page O-10 & O-11.

Series FB260CTW - Two Bolt Flange Blocks

Features: (same as above)



FOR LUBRICATION AND INSTALLATION INSTRUCTIONS - REFER TO SECTION S

SHAFT SIZE	B	C	D	E	H	J	L	M	S	WT. LBS.
1/2, 5/8, 3/4	4.450	1.110	2.560	3.543	.430	.433	1.311	1.040	1.220	.06
7/8, 1	5.120	1.340	2.760	3.898	.510	.433	1.430	1.160	1.342	.07
1-1/8, 1-3/16, 1-1/4s	5.830	1.590	3.150	4.606	.510	.433	1.583	1.200	1.500	1.0
1-1/4, 1-3/8, 1-7/16	6.460	1.850	3.540	5.118	.630	.512	1.748	1.290	1.689	1.4
1-1/2	6.930	2.060	3.940	5.669	.670	.551	2.035	1.480	1.937	2.0

Part Numbers are specified by "FB260CTW" and Bore Size. Example: FB260CTW x 3/4.
 For replacement inserts use B250TW Bearing Inserts, O-9.
 T-Zerk: 1/4-28 Taper

For Load Ratings, See page O-10 & O-11.

⚠ DIMENSIONS SHOWN ARE FOR REFERENCE ONLY.

DOWNLOAD AVAILABLE CAD MODELS AT: WWW.HUBCITYINC.COM

Certified prints are available upon request

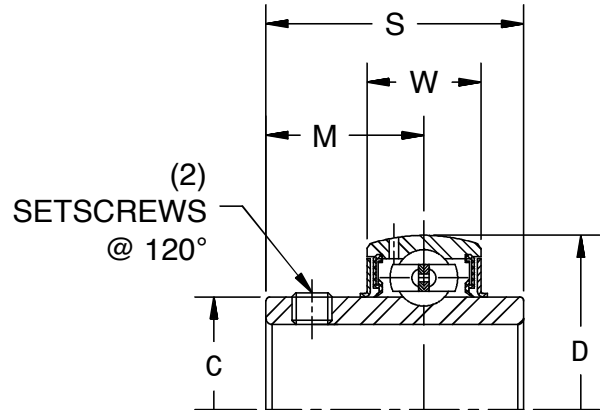
CALL: (605) 225-0360 • FAX: (605) 225-0567

Hub City CleanLine™ Bearing Units CleanLine Plus™ and UltraPlus Bearing Inserts

Series B250TW - Stainless Steel Bearings

Features:

- 440 Stainless Steel Rings and Balls
- 302 Stainless Steel Retainers
- Setscrew Lock - Wide Inner Ring
- Factory Filled USDA HI Lubricant Meets FDA Regulation 178.3570 Requirement for Incidental Contact with Food
- Silicone Seals with 302 Stainless Steel Flingers
- Lube Hole for Relubrication
- 304 Stainless Steel Setscrews
- Anti Rotation Pin

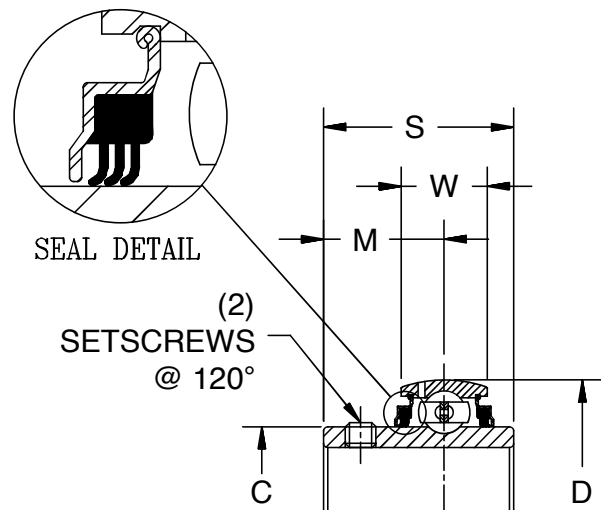


SHAFT SIZE	C	D	M	S	W	SETSCREW	WT. LBS.
1/2L, 5/8L, 3/4	1.114	1.850	0.720	1.220	0.630	1/4 - 28UNF	0.4
7/8, 1	1.339	2.047	0.779	1.343	0.669	1/4 - 28UNF	0.5
1-1/8, 1-3/16, 1-1/4s	1.587	2.444	0.874	1.500	0.748	1/4 - 28UNF	0.7
1-1/4, 1-3/8, 1-7/16	1.846	2.835	1.000	1.689	0.787	5/16-24UNF	1.0
1-1/2	2.063	3.150	1.189	1.937	0.827	5/16-24UNF	1.5
1-5/8, 1-11/16, 1-3/4	2.260	3.347	1.189	1.937	0.866	5/16-24UNF	1.6
1-15/16	2.488	3.543	1.283	2.031	0.945	3/8-24UNF	1.8

Series B250TW L3 Triple Lip Seal - Stainless Steel Bearings

Features:

- 440 Stainless Steel Rings and Balls
- 302 Stainless Steel Retainers
- Setscrew Lock - Wide Inner Ring
- Factory Filled USDA HI Lubricant Meets FDA Regulation 178.3570 Requirement for Incidental Contact with Food
- Triple Lip Silicone Seals with 302 Stainless Steel Trash Guards
- Lube Hole for Relubrication
- 304 Stainless Steel Setscrews
- Anti Rotation Pin



SHAFT SIZE	C	D	M	S	W	SETSCREW	WT. LBS.
1/2, 5/8, 3/4	1.114	1.850	0.720	1.220	0.630	1/4 - 28UNF	0.4
7/8, 1	1.339	2.047	0.779	1.343	0.669	1/4 - 28UNF	0.5
1-1/8, 1-3/16, 1-1/4s	1.587	2.441	0.874	1.500	0.748	1/4 - 28UNF	0.7
1-1/4, 1-3/8, 1-7/16	1.846	2.835	1.000	1.689	0.787	5/16-24UNF	1.0
1-1/2	2.063	3.150	1.189	1.937	0.827	5/16-24UNF	1.5
1-5/8, 1-11/16, 1-3/4	2.260	3.347	1.189	1.937	0.866	5/16-24UNF	1.6
1-15/16	2.488	3.543	1.283	2.031	0.945	3/8-24UNF	1.8

DOWNLOAD AVAILABLE CAD MODELS AT: WWW.HUBCITYINC.COM

Certified prints are available upon request

EMAIL: hubsales@regalbeloit.com • www.hubcityinc.com



Hub City CleanLine™ Bearing Units

Series B250TW - CleanLine™ Stainless Steel Bearing Ratings

BEARING RADIAL LOAD CAPACITY (POUNDS) FOR 500 HOURS L-10 LIFE (2500 HOURS AVERAGE LIFE) AND STEADY LOAD CONDITIONS										
SHAFT SIZE (INCHES) 100, 200 SERIES	BASIC DYNAMIC RATING, C* (POUNDS)	BASIC STATIC RATING, Co** (POUNDS)	BEARING SPEED (RPM)							
			100	500	1,000	1,500	2,000	2,500	3,000	3,500
1/2 to 5/8	2200	1390	1,530	890	710	620	560	520	490	470
3/4	2200	1390	1,530	890	710	620	560	520	490	470
7/8 to 1	2430	1570	1,680	990	780	680	620	580	540	520
1-1/8 to 1-1/4S	3350	2250	2,320	1,360	1080	940	860	790	750	710
1-1/4 to 1-7/16	4430	3060	3,070	1,800	1430	1250	1130	1050	990	
1-1/2	5640	3990	3,910	2,290	1810	1590	1440	1340	1260	
1-11/16 to 1-3/4	5640	3990	3,910	2,290	1810	1590	1440	1340		
1-7/8 to 1-15/16	6060	4450	4,200	2,460	1950	1700	1550	1440		

* Radial load for an L-10 rating life of 1,000,000 revolutions.

** Radial load rating for stationary or very low speed operation.

For ultimate life, snug fit or light press fit on shaft should be used.

Recommended operating temperature range: 0 to +225 deg F.

For applications not covered in the rating tables, consult the factory.
Ratings are based on ISO 281.

Maximum Recommended Speeds:

1/2 to 1-1/4S 3,500 RPM

1-1/4 to 1-1/2 3,000 RPM

1-5/8 to 1-15/16, 2,500 RPM

TO MODIFY THE ABOVE RATINGS FOR OTHER L-10 LIFE REQUIREMENTS OR FOR SHOCK LOADS MULTIPLY THE ABOVE RATINGS BY THE FACTOR FROM THIS CHART														
MODIFICATION FACTORS FOR L-10 SERVICE LIFE AND LOAD CONDITIONS:														
LOAD CONDITIONS	L-10 LIFE (HOURS)													
	500	700	1,000	1,500	2,000	3,000	4,000	5,000	7,000	10,000	15,000	20,000	30,000	50,000
Steady Load	1.00	.894	.794	.694	.630	.550	.500	.464	.415	.368	.322	.292	.255	.215
Light Shock	.90	.804	.715	.624	.567	.495	.450	.418	.373	.331	.290	.263	.230	.194
Moderate Shock	.70	.626	.556	.485	.441	.385	.350	.325	.290	.258	.225	.205	.179	.151

¶ DIMENSIONS SHOWN ARE FOR REFERENCE ONLY.

DOWNLOAD AVAILABLE CAD MODELS AT: WWW.HUBCITYINC.COM

Certified prints are available upon request

CALL: (605) 225-0360 • FAX: (605) 225-0567

Hub City CleanLine™ Bearing Units

Load Ratings

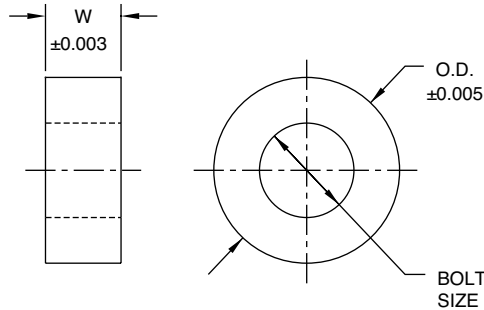
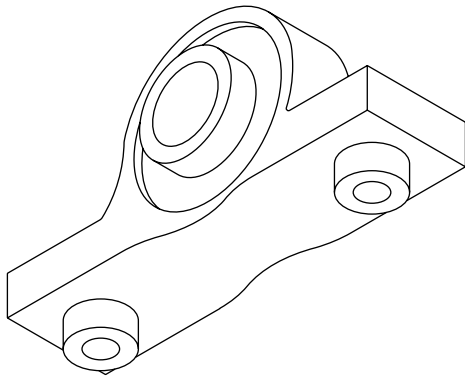
BREAKING POINT TESTS OF COMPOSITE HOUSINGS AT ROOM TEMPERATURE (75 F.)						
	MODE OF LOAD	BREAKING STRENGTH (POUNDS)				
		1/2 TO 3/4	7/8 TO 1	1-1/8 TO 1-1/4S	1-1/4 TO 1-7/16	1-1/2
PB251CTW		2000	3100	2800	2900	2900
		1700	2200	2400	2400	2500
		1100	1800	1300	1700	1900
FB250CTW		2900	2900	3800	4200	4300
		2300	2700	4000	4200	4300
		730	750	760	790	850
FB260CTW		2500	2600	3700	3800	3900
		2500	3100	3000	3100	3200
		1900	2500	3200	3300	3400
TPB250CTW		1800	1900	2300	2700	2700
		1500	1600	1500	1800	2000
		670	640	1100	1800	2200

Recommended operating temperature of composite housings is 20 to 230 deg F.
Housing strength varies with operating temperature, and this must be considered in the selection and application of composite bearing units.

Hub City CleanLine™ Bearing Units

UltraPlus™ Mounted Bearings

Accessories - Clearance Spacers



Clearance spacers are an excellent method of adding space between the mounted bearing and its mounting surface.

Clearance spacers minimize the surface contact area between the mounted bearing and its mounting surface to reduce potential bacterial growth areas.

Clearance spacers provide space for cleaning brushes to be used during sanitation processes. The spacers allow accessibility when cleaning by high-pressure washing or circulation of flowing chemical solutions, cleaning liquids and water rinses.

316 Stainless Steel Clearance Spacers

BOLT SIZE	SPACER NO.	O.D.	W
1/4	8471601286	0.625	0.375
5/16	8471601287	0.688	0.375
3/8	8471601288	0.812	0.375
7/16	8471601289	0.922	0.375
1/2	8471601290	0.969	0.375
5/8	8471601291	1.312	0.375

Order (1) spacer for each mounting hole required.
Consult factory for additional sizes available.

SUITABLE FOR:
CleanLine Pharmaceutical
CleanLine UltraPlus
CleanLine Plus
CleanLine Gear Drives

DOWNLOAD AVAILABLE CAD MODELS AT: WWW.HUBCITYINC.COM

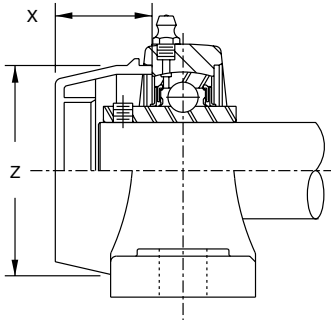
Certified prints are available upon request

CALL: (605) 225-0360 • FAX: (605) 225-0567

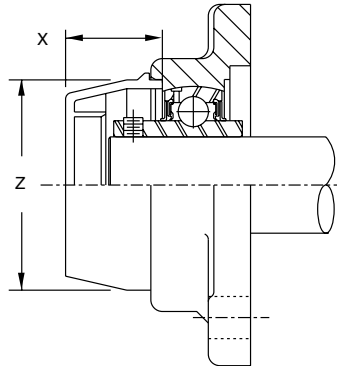
Hub City CleanLine™ Bearing Units

UltraPlus™ Mounted Bearings

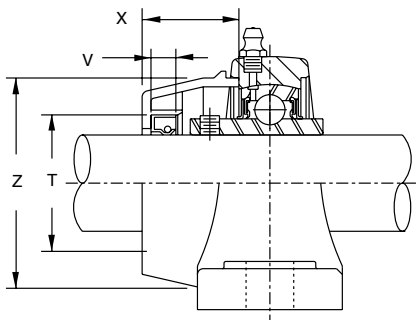
Accessories - Protective Caps



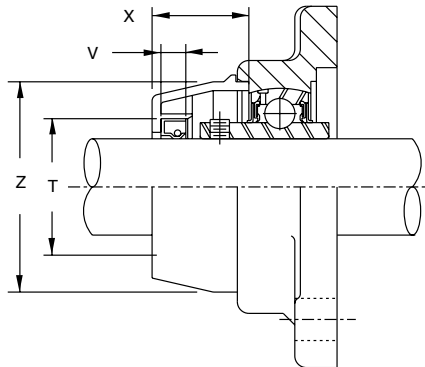
CLOSED PILLOW BLOCK UNITS



CLOSED FLANGE UNITS



OPEN PILLOW BLOCK UNITS



OPEN FLANGE UNITS



PROTECTIVE CAPS AND SEALS										
SHAFT SIZE	T	V	X	Z	CLOSED CAP		OPEN CAP		SEAL FOR OPEN CAP	
					DESCRIPTION	PART NO.	DESCRIPTION	PART NO.	DESCRIPTION	PART NO.
1/2	1.260	0.28	29/32	1-31/32	CPCCx3/4	1540101016	CPOCx3/4	1540101007	CPSEALx1/2	1745011004
5/8									CPSEALx5/8	1745011005
3/4									CPSEALx3/4	1745011006
7/8	1.457	0.28	1	2-5/32	CPCCx1	1540101017	CPOCx1	1540101008	CPSEALx7/8	1745011019
1									CPSEALx1	1745011007
1-1/8									CPSEALx1-1/8	1745011008
1-3/16	1.654	0.28	1-3/16	2-1/2	CPCCx1-3/16	1540101018	CPOCx1-3/16	1540101009	CPSEALx1-3/16	1745011009
1-1/4S									CPSEALx1-1/4S	1745011010
1-1/4									CPSEALx1-1/4	1745011011
1-3/8	1.850	0.28	1-1/4	2-15/16	CPCCx1-7/16	1540101019	CPOCx1-7/16	1540101010	CPSEALx1-3/8	1745011012
1-7/16									CPSEALx1-7/16	1745011013
1-1/2									CPSEALx1-1/2	1745011014

PROTECTIVE CAPS AND SEALS ARE SUITABLE FOR BOTH STAINLESS STEEL AND THERMOPLASTIC COMPOSITE BEARINGS
CAPS AND SEALS ARE SOLD SEPARATELY. ORDER BY DESCRIPTION OR PART NUMBERS SHOWN

DOWNLOAD AVAILABLE CAD MODELS AT: WWW.HUBCITYINC.COM

Certified prints are available upon request

EMAIL: hubsales@regalbeloit.com • www.hubcityinc.com



Hub City CleanLine™ Bearing Units

Modified and Custom Designs

If you have looked through this catalog and do not see exactly what you need, Hub City has the capability and engineering expertise to design and produce modified or custom mounted bearings.

Capabilities range as follows:

- Special sealing requirements or materials
- Special lubricants
- Housing modifications
- Special paint or housing coatings
- Modifications for specific or unique application requirements

Consult the factory or your Hub City representative with your specifications.