

# Hub City™ PowerTorque® Shaft Mount Reducers



- PowerTorque® Reducer Features and Description . . . . . G-2
- Nomenclature. . . . . G-4
- Selection Instructions. . . . . G-5
- Selection By Horsepower. . . . . G-7
- Mechanical Ratings. . . . . G-12
- Dimensions. . . . . G-14
- Accessories. . . . . G-15
- Screw Conveyor Accessories. . . . . G-22

**For Additional Models of  
Shaft Mount Reducers**  
See  
Sections F

# Hub City™ PowerTorque® Shaft Mount Reducers

Ten models available from 1/4 HP through 200 HP capacity

## Manufacturing Quality

Manufactured to the highest quality standards in the industry, assembled using precision manufactured components made from top quality materials

Designed for the toughest applications in the industry

## Housings

High strength ductile iron housings, rather than cast iron material

## Gearing

High efficiency gearing is manufactured from 8620 steel, case carburized, hardened to RC62, and precision ground, AGMA Class 11, rather than crowned and shaved

## Output Bores

Standard bores range from 1-7/16" through 5-7/16"

## Ratios

Ratios from 9:1, 15:1 and 25:1

## Shafts

Input shafts are machined from high strength alloy steel and hardened for premium load carrying capability

## Bearings

Tapered roller bearings are selected for optimum life and load carrying capability

## Seals

Double lip seals feature metal reinforcement and ride on precision ground shaft surfaces for longevity

98.5%  
Efficiency per  
Gear Stage!



## Lubrication

Ample lubrication is provided by abundant splash from the large oil sump

## Interchangeability

Dimensionally and mechanically interchangeable with most major brands

## Warranty

Backed by an 18 month warranty for assured dependable longevity while providing trouble free service

# Hub City™ PowerTorque® Shaft Mount Reducers

## The Hub City Advantage

Hub City PowerTorque® reducer accessories complete the drive package by providing tapered bushings, backstops, and motor mounts. Screw conveyor drive accessories include adapter flanges and drive shafts.



### Tapered Bushing Kits

- Flanged bushing mount
- Removal screws allow for easy demounting
- Ductile iron material for shock resistance
- Clamp fit, no setscrews
- Split design eliminates seizing problems



### Backstop Assemblies

- Quick installation on input shaft
- Internally installed, sealed from contamination
- Lubricated by internal gear lubricant
- Designed to operate in either direction



### Motor Mounts

- All-Steel construction for rigidity
- Compact design eliminates need for motor base
- Top plate adjusts for easy tensioning of drive belt
- Mounting holes provided match NEMA standards



### Screw Conveyor Adapter Flanges

- Conform to CEMA standards
- Bolt-on design allows easy mounting
- Open center for contaminate dropout



### Screw Conveyor Drive Shafts

- Machined from high strength alloy steel
- Conform to CEMA dimensional standards
- Easy installation into standard hollow bore



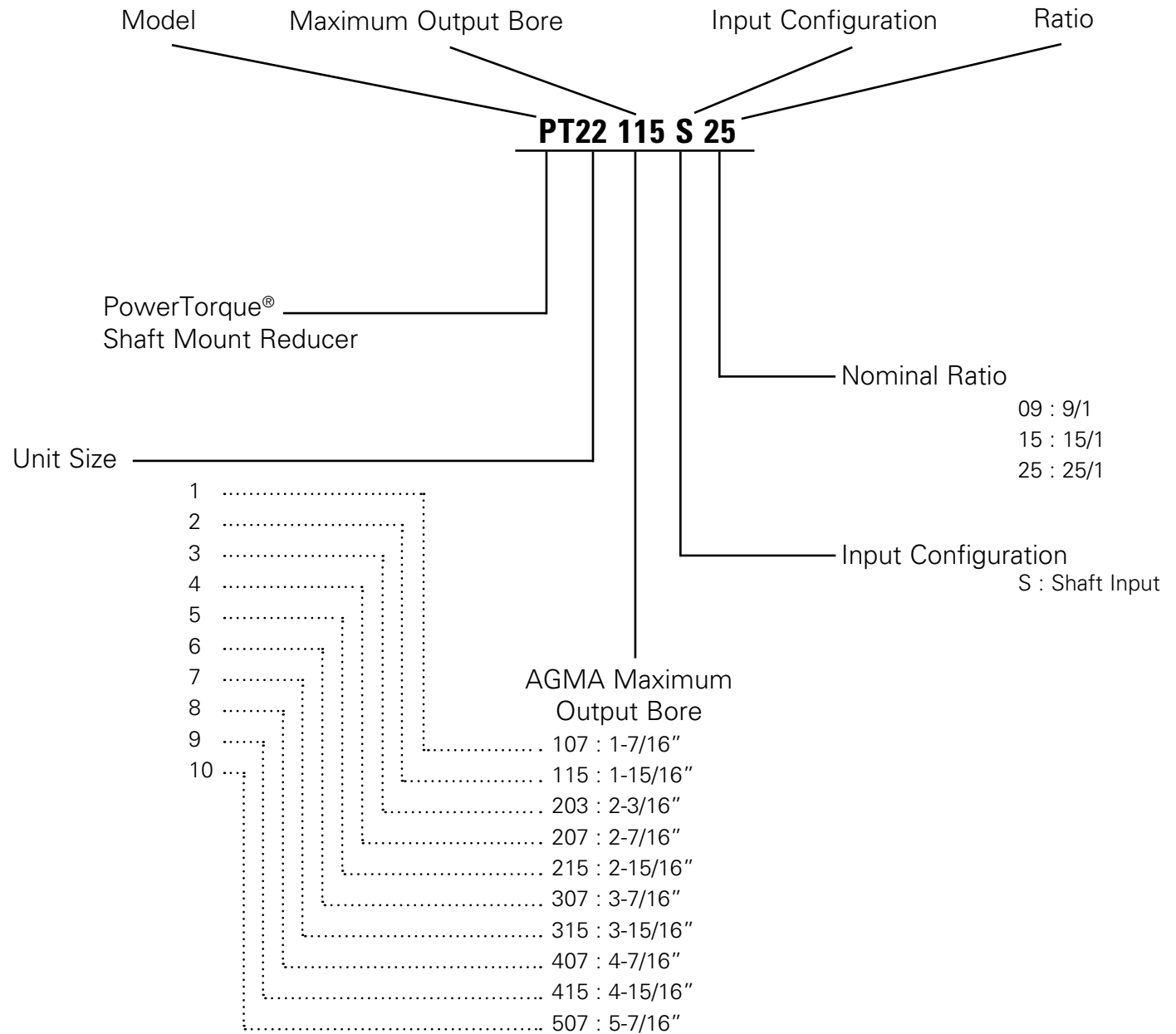
### Belt Guards

- All-Steel construction
- Adjustable to fit a wide range of sheaves and motor frames
- Designed for easy installation, no drilling required

# Hub City™ PowerTorque® Shaft Mount Reducers

## Description

### Descriptions For Ordering Shaft Mount Reducers



#### Part Number Prefixes

- 0270-XXXXX Standard Assembly
- 0271-XXXXX Modified Assembly
- 0273-XXXXX Standard Service Part
- 0275-XXXXX Modified Service Part
- 0279-XXXXX Accessory Kit

# Hub City™ PowerTorque® Shaft Mount Reducers

## Selection Procedure

Hub City PowerTorque reducers are selected on the basis of input horsepower and output speed. There are ten double reduction PowerTorque reducer models available in nominal ratios of 9:1, 15:1, and 25:1 with

output speeds to 200 RPM and ratings up to 200 HP. The selection tables have been established so that once the horsepower and driven speed are known the appropriate model can be readily selected.

### AGMA Load Classification Numbers

Determine the AGMA Load Classification Number for your application from the AGMA tables in the Engineering Manual. In mechanical drives the presence of shock loads will usually reduce the life of the reducers. In order to provide optimum service in heavily loaded applications, it is necessary to use load classes

to adjust the reducer ratings for the stresses created by different types of loads. The AGMA Load Classes provide for a momentary or starting load of 2.0 times for Class I, 2.8 for Class II, and 4.0 for Class III. Refer to the AGMA tables in the Engineering Manual for further information and cautions on the selection of proper service factors.

LOAD CLASS (S.F.)	UP TO 3 HRS. TOTAL OPERATION PER DAY	3 TO 10 HRS. TOTAL OPERATION PER DAY	OVER 10 HRS. TOTAL OPERATION PER DAY
I (1.0)	Moderate Shock Load	Uniform Load	
II (1.4)	Heavy Shock Load	Moderate Shock Load	Uniform Load
III (2.0)		Heavy Shock Load	Moderate Shock Load

### Select Reducer Size and Ratio

Refer to the applicable Selection Table for the AGMA Load Class I, II, or III on pages G-7 to G-11. Locate the

required HP and Output Speed, and read across to find the reducer size.

### Select Tapered Bushings

Compare the hollow shaft bore with the diameter of the driven shaft. If the driven shaft is smaller than the maximum bore for the reducer selected, select the proper tapered bushings from the table on page G-15 to adapt the hollow shaft bore to the diameter of the driven

shaft. If the driven shaft diameter is larger than the maximum bore for the reducer selected, it is necessary to either turn down the driven shaft, or select a larger reducer.

### Select Sheave Ratio

To determine the V-belt sheave ratio required to produce the desired output speed, use the following formula: sheave ratio = exact motor RPM / (output RPM X exact gear ratio).

Refer to the catalog of your chosen V-belt supplier to select the most economical V-belt drive to transmit the HP at the required output speed by following the selection procedure outlined in the V-belt catalog.

# Hub City™ PowerTorque® Shaft Mount Reducers

## Selection Procedure

Refer to the Minimum Diameter for Driven Sheaves listed in the Selection Tables to be certain that your driven sheave selection is larger than the minimum diameter recommended for the reducer selected.

### Accessories:

#### Select Motor Mount

Select the motor frame and motor mount size from the tables on page G-16 to G-19 based on the reducer size.

#### Select Belt Guards

Select belt guards from the tables on pages G-20 and G-21 based on the reducer size.

#### Select Screw Conveyor Drive Shaft and Adapter

Select the CEMA adapter and drive shaft from the tables on page G-22 based on the reducer size.

### Select Backstop

Optional backstops are available for applications that require the prevention of reverse rotation. Select the backstop from the table on page G-15 based on the reducer size. Backstops are installed on the high speed pinion shaft by removing the cover on the back side (opposite side from the input shaft extension) of the housing.

#### **⚠ CAUTION**

Before installing the backstop, 'jog' the motor to determine the direction of rotation. Reverse motor direction of rotation if necessary to keep from starting against the backstop. If the motor is wired incorrectly and started against the backstop, the backstop will be permanently damaged and must be replaced.

#### **⚠ WARNING**

Do not use lubricants with extreme pressure (EP) additives containing friction modifiers such as graphite or molybdenum disulfide in gear drives with backstops installed. Lubricants with EP additives may produce coatings which adversely affect operation of the backstop. Death or serious injury to personnel, damage to the reducer or other equipment, could result.

#### **⚠ WARNING**

Do not use extreme pressure lubricants or lubricants with formulations including sulphur, chlorine, lead, and phosphorous derivatives, as well as graphite and molybdenum disulfide in gear drives equipped with an internal backstop.

Some synthetic gear lubricants adversely affect the operation of internal backstops. Contact application engineering if using a synthetic lubricant.

Failure to follow the instructions, safety precautions and warnings in this manual could result in death, serious injury, or equipment damage.

### Other Accessories Supplied Upon Request:

- Cooling Fans
- Mounting Brackets
- Auxiliary Seal Kits

For Lubrication and Installation Instructions Refer to Section M.

Note: A torque-arm assembly is supplied with all shaft mount reducers.

# Hub City™ PowerTorque® Shaft Mount Reducers

## Selection By Input Horsepower

### Class I Service

HP	OUTPUT RPM	REDUCER SELECTION		MINIMUM SHEAVE DIA.
0.25	4 ~ 70	PT21107-25	PT21107-15	3.0
	71 ~ 85	PT21107-25	PT21107-15	3.0
	86 ~ 115	PT21107-15	PT21107-09	3.0/4.0
	116 ~ 140	PT21107-15	PT21107-09	3.0/4.0
	141 ~ 200	PT21107-09		4.0
0.33	5 ~ 70	PT21107-25	PT21107-15	3.0
	71 ~ 85	PT21107-25	PT21107-15	3.0
	86 ~ 115	PT21107-15	PT21107-09	3.0/4.0
	116 ~ 140	PT21107-15	PT21107-09	3.0/4.0
	141 ~ 200	PT21107-09		4.0
0.50	4 ~ 6	PT22115-25		3.0
	7 ~ 70	PT21107-25	PT21107-15	3.0
	71 ~ 85	PT21107-25	PT21107-15	3.0
	86 ~ 115	PT21107-15	PT21107-09	3.0/4.0
	116 ~ 140	PT21107-15	PT21107-09	3.0/4.0
0.75	4 ~ 5	PT23203-25		4.0
	6 ~ 10	PT22115-25		3.0
	11 ~ 70	PT21107-25	PT21107-15	3.0
	71 ~ 85	PT21107-25	PT21107-15	3.0
	86 ~ 115	PT21107-15	PT21107-09	3.0/4.0
	116 ~ 140	PT21107-15	PT21107-09	3.0/4.0
1	4 ~ 5	PT24207-25		4.6
	6 ~ 7	PT23203-25		4.0
	8 ~ 15	PT22115-25		3.0
	16 ~ 70	PT21107-25	PT21107-15	3.0
	71 ~ 85	PT21107-25	PT21107-15	3.0
	86 ~ 115	PT21107-15	PT21107-09	3.0/4.0
	116 ~ 140	PT21107-15	PT21107-09	3.0/4.0
1.5	4 ~ 200	PT21107-09		4.0
	4	PT25215-25		5.4
	5 ~ 7	PT24207-25		4.6
	8 ~ 12	PT23203-25		4.0
	13 ~ 23	PT22115-25		3.0
	24 ~ 70	PT21107-25	PT21107-15	3.0
	71 ~ 85	PT21107-25	PT21107-15	3.0
	86 ~ 115	PT21107-15	PT21107-09	3.0/4.0
2	116 ~ 140	PT21107-15	PT21107-09	3.0/4.0
	141 ~ 200	PT21107-09		4.0
	4 ~ 6	PT25215-25		5.4
	7 ~ 10	PT24207-25		4.6
	11 ~ 17	PT23203-25		4.0
	18 ~ 32	PT22115-25	PT22115-15	3.0
	33 ~ 70	PT21107-25	PT21107-15	3.0
	71 ~ 85	PT21107-25	PT21107-15	3.0
3	86 ~ 115	PT21107-15	PT21107-09	3.0/4.0
	116 ~ 140	PT21107-15	PT21107-09	3.0/4.0
	141 ~ 200	PT21107-09		4.0
	4 ~ 5	PT26307-25		6.2
	6 ~ 10	PT25215-25		5.4
	11 ~ 15	PT24207-25		4.6
5	16 ~ 26	PT23203-25		4.0
	27 ~ 51	PT22115-25	PT22115-15	3.0
	52 ~ 70	PT21107-25	PT21107-15	3.0
	71 ~ 85	PT21107-25	PT21107-15	3.0
	86 ~ 115	PT21107-15	PT21107-09	3.0/4.0
	116 ~ 140	PT21107-15	PT21107-09	3.0/4.0
	141 ~ 200	PT21107-09		4.0
	5	5 ~ 6	PT27315-25	

HP	OUTPUT RPM	REDUCER SELECTION		MINIMUM SHEAVE DIA.
5 (con't.)	7 ~ 9	PT26307-25		6.2
	10 ~ 17	PT25215-25		5.4
	18 ~ 26	PT24207-25	PT24207-15	4.6
	27 ~ 46	PT23203-25	PT23203-15	4.0
	47 ~ 70	PT22115-25	PT22115-15	3.0
	71 ~ 85	PT22115-25	PT22115-15	3.0
	86 ~ 92	PT21107-09	PT22115-15	4.0/3.0
	93 ~ 115	PT21107-15	PT21107-09	3.0/4.0
	116 ~ 140	PT21107-15	PT21107-09	3.0/4.0
	141 ~ 200	PT21107-09		4.0
7.5	4 ~ 6	PT28407-25		6.2
	7 ~ 9	PT27315-25		6.2
	10 ~ 15	PT26307-25		6.2
	16 ~ 26	PT25215-25		5.4
	27 ~ 40	PT24207-25	PT24207-15	4.6
	41 ~ 70	PT23203-25	PT23203-15	4.0
	71 ~ 74	PT23203-25	PT23203-15	4.0
	75 ~ 85	PT22115-25	PT22115-15	3.0
	86 ~ 95	PT22115-15		3.0
	96 ~ 140	PT22115-15		3.0
10	141 ~ 200		PT22115-09	5.0
	4 ~ 6	PT29415-25		8.0
	6 ~ 8	PT28407-25		6.2
	9 ~ 12	PT27315-25		6.2
	13 ~ 20	PT26307-25		6.2
	21 ~ 36	PT25215-25	PT25215-15	5.4
	37 ~ 56	PT24207-25	PT24207-15	4.6
	57 ~ 70	PT23203-25	PT23203-15	4.0
	71 ~ 85	PT23203-25	PT23203-15	4.0
	86 ~ 103	PT23203-15	PT23203-09	4.0/5.0
15	104 ~ 115	PT22115-15		3.0
	116 ~ 140	PT22115-15		3.0
	141 ~ 158	PT23203-09		5.0
	159 ~ 200	PT23203-09		5.0
	4 ~ 6	PT210507-25		8.5
	7 ~ 8	PT29415-25		8.0
	9 ~ 13	PT28407-25		6.2
	14 ~ 19	PT27315-25		6.2
	20 ~ 32	PT26307-25	PT26307-15	6.2
	33 ~ 56	PT25215-25	PT25215-15	5.4
20	57 ~ 70	PT24207-25	PT24207-15	4.6
	71 ~ 85	PT24207-25	PT24207-15	4.6
	86 ~ 93	PT24207-15	PT24207-09	4.6/6.5
	94 ~ 115	PT23203-15	PT23203-09*	4.0/5.0
	116 ~ 140	PT23203-15	PT23203-09*	4.0/5.0
	141 ~ 145		PT23203-09*	5.0
	146 ~ 200		PT23203-09*	5.0
	7 ~ 8	PT210507-25		8.5
	9 ~ 12	PT29415-25		8.0
	13 ~ 18	PT28407-25		6.2
25	19 ~ 26	PT27315-25	PT27315-15	6.2
	27 ~ 45	PT26307-25	PT26307-15	6.2
	46 ~ 70	PT25215-25	PT25215-15	5.4
	71 ~ 78	PT25215-25	PT25215-15	5.4
	79 ~ 85	PT24207-25	PT24207-15	4.6
	86 ~ 115	PT24207-15	PT24207-09*	4.6/6.5
	116 ~ 140	PT24207-15*	PT24207-09*	4.6/6.5
	141 ~ 200		PT23203-09*	5.0
8 ~ 10	PT210507-25		8.5	
11 ~ 15	PT29415-25		8.0	

\*Additional Cooling Provisions May Be Required. Consult Factory with Application Details.

# Hub City™ PowerTorque® Shaft Mount Reducers

## Selection By Input Horsepower

### Class I Service (cont'd)

HP	OUTPUT RPM	REDUCER SELECTION	MINIMUM SHEAVE DIA.	
25 (cont.)	16 ~ 23	PT28407-25	6.2	
	24 ~ 33	PT27315-25 PT27315-15	6.2	
	34 ~ 59	PT26307-25 PT26307-15	6.2	
	60 ~ 70	PT25215-25* PT25215-15*	5.4	
	71 ~ 80	PT25215-25* PT25215-15*	5.4	
	81 ~ 101	PT25215-15* PT25215-09*	5.4	
	102 ~ 132	PT24207-15* PT24207-09*	4.6/6.5	
	133 ~ 140	PT24207-15* PT24207-09*	4.6/6.5	
	141 ~ 163	PT24207-09*	6.5	
164 ~ 200	PT24207-09*	6.5		
30	10 ~ 13	PT210507-25	8.5	
	14 ~ 19	PT29415-25	8.0	
	20 ~ 28	PT28407-25 PT28407-15	6.2	
	29 ~ 41	PT27315-25 PT27315-15	6.2	
	42 ~ 70	PT26307-25 PT26307-15	6.2	
	71 ~ 75	PT26307-25 PT26307-15	6.2	
	76 ~ 115	PT25215-15* PT25215-09*	5.4/7.0	
	116 ~ 125	PT25215-15* PT25215-09*	5.4/7.0	
	126 ~ 131	PT24207-09*	6.5	
	132 ~ 200	PT24207-09*	6.5	
	40	13 ~ 18	PT210507-25	8.5
19 ~ 25		PT29415-25 PT29415-15	8.0	
26 ~ 38		PT28407-25 PT28407-15	6.2	
39 ~ 57		PT27315-25 PT27315-15	6.2	
58 ~ 70		PT26307-25 PT26307-15	6.2	
71 ~ 81		PT26307-25* PT26307-15*	6.2	
82 ~ 114		PT26307-15* PT26307-09*	6.2/7.0	
115 ~ 125		PT25215-15* PT25215-09*	5.4/7.0	
126 ~ 200		PT25215-09*	7.0	
50		16 ~ 22	PT210507-25	8.5
	23 ~ 32	PT29415-25 PT29415-15	8.0	
	33 ~ 49	PT28407-25 PT28407-15	6.2	
	50 ~ 70	PT27315-25 PT27315-15	6.2	
	71 ~ 74	PT27315-25 PT27315-15	6.2	
	75 ~ 125	PT26307-15* PT27315-09*	6.2/7.0	
	126 ~ 163	PT27315-09*	7.0	
	164 ~ 200	PT26307-09*	7.0	
	60	19 ~ 27	PT210507-25	8.5
		28 ~ 39	PT29415-25 PT29415-15	8.0
40 ~ 60		PT28407-25 PT28407-15	6.2	
61 ~ 70		PT27315-25* PT27315-15*	6.2	
71 ~ 120		PT27315-15* PT27315-09*	6.2/7.0	
121 ~ 131		PT27315-09*	7.0	
132 ~ 200		PT27315-09*	7.0	
75		24 ~ 34	PT210507-25	8.5
	35 ~ 50	PT29415-25 PT29415-15	8.0	
	51 ~ 70	PT28407-25 PT28407-15	6.2	
	71 ~ 78	PT28407-15*	6.2	
	79 ~ 120	PT27315-15* PT27315-09*	6.2/7.0	
	121 ~ 200	PT27315-09*	7.0	
100	32 ~ 46	PT210507-25	8.5	
	47 ~ 69	PT29415-25* PT29415-15*	8.0	
	70 ~ 120	PT28407-15*	6.2	
	121 ~ 123	PT27315-09*	7.0	
	124 ~ 200	PT27315-09*	7.0	
125	41 ~ 59	PT210507-25	8.5	
	60 ~ 70	PT29415-25* PT29415-15*	8.0	
	71 ~ 90	PT29415-15*	8.0	
	91 ~ 123	PT28407-15*	6.2	
150	50 ~ 70	PT210507-25	8.5	
	71 ~ 78	PT210507-25*	8.5	
	79 ~ 120	PT29415-15	8.0	

### Class II Service

HP	OUTPUT RPM	REDUCER SELECTION	MINIMUM SHEAVE DIA.
0.25	5 ~ 70	PT21107-25 PT21107-15	3.0
	71 ~ 85	PT21107-25 PT21107-15	3.0
	86 ~ 115	PT21107-15 PT21107-09	3.0/4.0
	116 ~ 140	PT21107-15 PT21107-09	3.0/4.0
	141 ~ 200	PT21107-09	4.0
0.33	4 ~ 6	PT22115-25	3.0
	7 ~ 70	PT21107-25 PT21107-15	3.0
	71 ~ 85	PT21107-25 PT21107-15	3.0
	86 ~ 115	PT21107-15 PT21107-09	3.0/4.0
	116 ~ 140	PT21107-15 PT21107-09	3.0/4.0
	141 ~ 200	PT21107-09	4.0
0.5	4 ~ 5	PT23203-25	4.0
	6 ~ 9	PT22115-25	3.0
	10 ~ 70	PT21107-25 PT21107-15	3.0
	71 ~ 85	PT21107-25 PT21107-15	3.0
	86 ~ 115	PT21107-15 PT21107-09	3.0/4.0
	116 ~ 140	PT21107-15 PT21107-09	3.0/4.0
	141 ~ 200	PT21107-09	4.0
	4 ~ 5	PT24207-25	4.6
	6 ~ 8	PT23203-25	4.0
	9 ~ 16	PT22115-25	3.0
0.75	17 ~ 70	PT21107-25 PT21107-15	3.0
	71 ~ 85	PT21107-25 PT21107-15	3.0
	86 ~ 115	PT21107-15 PT21107-09	3.0/4.0
	116 ~ 140	PT21107-15 PT21107-09	3.0/4.0
	141 ~ 200	PT21107-09	4.0
	5 ~ 7	PT24207-25	4.6
1	8 ~ 11	PT23203-25	4.0
	12 ~ 22	PT22115-25	3.0
	23 ~ 70	PT21107-25 PT21107-15	3.0
	71 ~ 85	PT21107-25 PT21107-15	3.0
	86 ~ 115	PT21107-15 PT21107-09	3.0/4.0
	116 ~ 140	PT21107-15 PT21107-09	3.0/4.0
	141 ~ 200	PT21107-09	4.0
1.5	5 ~ 6	PT25215-25	5.4
	7 ~ 11	PT24207-25	4.6
	12 ~ 18	PT23203-25	4.0
	19 ~ 34	PT22115-25 PT22115-15	3.0
	35 ~ 70	PT21107-25 PT21107-15	3.0
	71 ~ 85	PT21107-25 PT21107-15	3.0
	86 ~ 115	PT21107-15 PT21107-09	3.0/4.0
	116 ~ 140	PT21107-15 PT21107-09	3.0/4.0
	141 ~ 200	PT21107-09	4.0
	4 ~ 5	PT26307-25	6.2
2	6 ~ 9	PT25215-25	5.4
	10 ~ 14	PT24207-25	4.6
	15 ~ 24	PT23203-25 PT23203-15	4.0
	25 ~ 47	PT22115-25 PT22115-15	3.0
	48 ~ 70	PT21107-25 PT21107-15	3.0
	71 ~ 85	PT21107-25 PT21107-15	3.0
	86 ~ 115	PT21107-15 PT21107-09	3.0/4.0
	116 ~ 140	PT21107-15 PT21107-09	3.0/4.0
	141 ~ 200	PT21107-09	4.0
	4 ~ 5	PT27315-25	6.2
3	6 ~ 8	PT26307-25	6.2
	9 ~ 14	PT25215-25	5.4
	15 ~ 22	PT24207-25 PT24207-15	4.6
	23 ~ 38	PT23203-25 PT23203-15	4.0
	39 ~ 70	PT22115-25 PT22115-15	3.0
	71 ~ 75	PT22115-25 PT22115-15	3.0
	76 ~ 85	PT21107-25 PT21107-15	3.0
	86 ~ 115	PT21107-15 PT21107-09	3.0/4.0

\*Additional Cooling Provisions May Be Required. Consult Factory with Application Details.



# Hub City™ PowerTorque® Shaft Mount Reducers

## Selection By Input Horsepower

### Class II Service (cont'd)

HP	OUTPUT RPM	REDUCER SELECTION		MINIMUM SHEAVE DIA.
3 (con't.)	116 ~ 140	PT21107-15	PT21107-09	3.0/4.0
	141 ~ 200	PT21107-09		4.0
5	4 ~ 6	PT28407-25		6.2
	7 ~ 8	PT27315-25		6.2
	9 ~ 14	PT26307-25		6.2
	15 ~ 24	PT25215-25		5.4
	25 ~ 37	PT24207-25	PT24207-15	4.6
	38 ~ 69	PT23203-25	PT23203-15	4.0
	70 ~ 85	PT22115-25	PT22115-15	3.0
	86 ~ 89	PT22115-15	PT22115-09	3.0/5.0
	90 ~ 136	PT22115-15	PT22115-09	3.0/5.0
	137 ~ 140	PT21107-15	PT22115-09	3.0/5.0
	141 ~ 200	PT21107-09		4.0
7.5	5	PT29415-25		8.0
	6 ~ 9	PT28407-25		6.2
	10 ~ 13	PT27315-25		6.2
	14 ~ 21	PT26307-25		6.2
	22 ~ 38	PT25215-25	PT25215-15	5.4
	39 ~ 59	PT24207-25	PT24207-15	4.6
	60 ~ 70	PT23203-25	PT23203-15	4.0
	71 ~ 85	PT23203-25	PT23203-15	4.0
	86 ~ 110	PT23203-15	PT23203-09	4.0/5.0
	111 ~ 122	PT22115-15	PT23203-09	3.0/5.0
	123 ~ 140	PT22115-15	PT23203-09	3.0/5.0
	141 ~ 183	PT23203-09		5.0
	184 ~ 200	PT22115-09		5.0
10	5	PT210507-25		8.5
	6 ~ 7	PT29415-25		8.0
	8 ~ 12	PT28407-25		6.2
	13 ~ 18	PT27315-25		6.2
	19 ~ 29	PT26307-25	PT26307-15	6.2
	30 ~ 52	PT25215-25	PT25215-15	5.4
	53 ~ 70	PT24207-25	PT24207-15	4.6
	71 ~ 84	PT24207-25	PT24207-15	4.6
	85 ~ 130	PT23203-15	PT23203-09	4.0/5.0
	131 ~ 140	PT23203-15	PT23203-09	4.0/5.0
	141 ~ 200	PT23203-09		5.0
15	7 ~ 9	PT210507-25		8.5
	10 ~ 12	PT29415-25		8.0
	13 ~ 19	PT28407-25		6.2
	20 ~ 27	PT27315-25		6.2
	28 ~ 47	PT26307-25	PT26307-15	6.2
	48 ~ 70	PT25215-25	PT25215-15	5.4
	71 ~ 82	PT25215-25	PT25215-15	5.4
	83 ~ 117	PT24207-15	PT24207-09	4.6/6.5
	118 ~ 140	PT24207-15	PT24207-09	4.6/6.5
	141 ~ 150	PT24207-09		6.5
	151 ~ 200	PT23203-09*		5.0
20	9 ~ 12	PT210507-25		8.5
	13 ~ 17	PT29415-25		8.0
	18 ~ 26	PT28407-25		6.2
	27 ~ 38	PT27315-25	PT27315-15	6.2
	39 ~ 68	PT26307-25	PT26307-15	6.2
	69 ~ 80	PT25215-25	PT25215-15	5.4
	81 ~ 89	PT25215-15		5.4
	91 ~ 117	PT25215-15*	PT25215-09*	5.4/7.0
	118 ~ 125	PT24207-15*	PT24207-09*	4.6/6.5
	126 ~ 200	PT24207-09*		6.5

HP	OUTPUT RPM	REDUCER SELECTION		MINIMUM SHEAVE DIA.
25	11 ~ 15	PT210507-25		8.5
	16 ~ 22	PT29415-25		8.0
	23 ~ 33	PT28407-25	PT28407-15	6.2
	34 ~ 49	PT27315-25	PT27315-15	6.2
	50 ~ 80	PT26307-25	PT26307-15	6.2
	81 ~ 94	PT26307-15	PT26307-09	6.2/7.0
	95 ~ 125	PT25215-15*	PT25215-09*	5.4/7.0
	126 ~ 174	PT25215-09*		7.0
	175 ~ 200	PT24207-09*		6.5
30	13 ~ 19	PT210507-25		8.5
	20 ~ 27	PT29415-25	PT29415-15	8.0
	28 ~ 41	PT28407-25	PT28407-15	6.2
	42 ~ 60	PT27315-25	PT27315-15	6.2
	61 ~ 76	PT26307-25	PT26307-15	6.2
	77 ~ 89	PT26307-15	PT26307-09	6.2/7.0
	90 ~ 125	PT26307-15*	PT26307-09*	6.2/7.0
126 ~ 200	PT25215-09*		7.0	
40	18 ~ 25	PT210507-25		8.5
	26 ~ 36	PT29415-25	PT29415-15	8.0
	37 ~ 56	PT28407-25	PT28407-15	6.2
	57 ~ 75	PT27315-25	PT27315-15	6.2
	76 ~ 88	PT27315-15		6.2
	89 ~ 114	PT26307-15*		6.2
	115 ~ 120	PT26307-15*	PT26307-09*	6.2/7.0
	121 ~ 200	PT26307-09*		7.0
	22 ~ 32	PT210507-25		8.5
	33 ~ 46	PT29415-25	PT29415-15	8.0
50	47 ~ 70	PT28407-25	PT28407-15	6.2
	71 ~ 72	PT28407-25		6.2
	73 ~ 95	PT27315-15*		6.2
	96 ~ 110	PT27315-15*	PT27315-09	6.2/7.0
	111 ~ 120	PT27315-15*	PT27315-09*	6.2/7.0
	121 ~ 179	PT27315-09*		7.0
	180 ~ 200	PT26307-09*		7.0
	27 ~ 39	PT210507-25		8.5
	40 ~ 56	PT29415-25	PT29415-15	8.0
	57 ~ 70	PT28407-25	PT28407-15	6.2
60	71 ~ 75	PT28407-25		6.2
	76 ~ 89	PT28407-15		6.2
	90 ~ 120	PT27315-15*	PT27315-09*	6.2/7.0
	121 ~ 200	PT27315-09*		7.0
	34 ~ 49	PT210507-25		8.5
75	50 ~ 73	PT29415-25	PT29415-15	8.0
	74 ~ 75	PT28407-25		6.2
	76 ~ 120	PT28407-15*		6.2
	121 ~ 133	PT27315-09*		7.0
	134 ~ 200	PT27315-09*		7.0
100	46 ~ 67	PT210507-25		8.5
	68 ~ 75	PT29415-25*	PT29415-15*	8.0
	76 ~ 103	PT29415-15*		8.0
	104 ~ 120	PT28407-15*		6.2
	181 ~ 200	PT27315-09*		7.0
125	59 ~ 79	PT210507-25*		8.5
	80 ~ 120	PT29415-15*		8.0
150	73 ~ 75	PT210507-25*		8.5

\*Additional Cooling Provisions May Be Required. Consult Factory with Application Details.

PowerTorque® Shaft Mount Reducers



# Hub City™ PowerTorque® Shaft Mount Reducers

## Selection By Input Horsepower

### Class III Service

HP	OUTPUT RPM	REDUCER SELECTION	MINIMUM SHEAVE DIA.
0.25	4 ~ 6	PT22115-25	3.0
	7 ~ 70	PT21107-25 PT21107-15	3.0
	71 ~ 85	PT21107-25 PT21107-15	3.0
	86 ~ 89	PT21107-15 PT21107-09	3.0/4.0
	90 ~ 115	PT21107-15 PT21107-09	3.0/4.0
	116 ~ 140	PT21107-15 PT21107-09	3.0/4.0
	141 ~ 200	PT21107-09	4.0
0.33	5 ~ 9	PT22115-25	3.0
	10 ~ 70	PT21107-25 PT21107-15	3.0
	71 ~ 85	PT21107-25 PT21107-15	3.0
	86 ~ 115	PT21107-15 PT21107-09	3.0/4.0
	116 ~ 140	PT21107-15 PT21107-09	3.0/4.0
	141 ~ 200	PT21107-09	4.0
0.50	4 ~ 5	PT24207-25	4.6
	6 ~ 7	PT23203-25	4.0
	8 ~ 15	PT22115-25	3.0
	16 ~ 70	PT21107-25 PT21107-15	3.0
	71 ~ 85	PT21107-25 PT21107-15	3.0
	86 ~ 115	PT21107-15 PT21107-09	3.0/4.0
	116 ~ 140	PT21107-15 PT21107-09	3.0/4.0
	141 ~ 200	PT21107-09	4.0
0.75	4	PT25215-25	5.4
	5 ~ 7	PT24207-25	4.6
	8 ~ 12	PT23203-25	4.0
	13 ~ 23	PT22115-25	3.0
	24 ~ 70	PT21107-25 PT21107-15	3.0
	71 ~ 85	PT21107-25 PT21107-15	3.0
	86 ~ 115	PT21107-15 PT21107-09	3.0/4.0
	116 ~ 140	PT21107-15 PT21107-09	3.0/4.0
	141 ~ 200	PT21107-09	4.0
1.00	4 ~ 6	PT25215-25	5.4
	7 ~ 10	PT24207-25	4.6
	11 ~ 17	PT23203-25	4.0
	18 ~ 32	PT22115-25	3.0
	33 ~ 70	PT21107-25 PT21107-15	3.0
	71 ~ 85	PT21107-25 PT21107-15	3.0
	86 ~ 115	PT21107-15 PT21107-09	3.0/4.0
	116 ~ 140	PT21107-15 PT21107-09	3.0/4.0
1.5	4 ~ 5	PT26307-25	6.2
	6 ~ 10	PT25215-25	5.4
	11 ~ 15	PT24207-25	4.6
	16 ~ 26	PT23203-25	4.0
	27 ~ 51	PT22115-25 PT22115-15	3.0
	52 ~ 70	PT21107-25 PT21107-15	3.0
	71 ~ 85	PT21107-25 PT21107-15	3.0
	86 ~ 115	PT21107-15 PT21107-09	3.0/4.0
	116 ~ 140	PT21107-15 PT21107-09	3.0/4.0
	141 ~ 200	PT21107-09	4.0

HP	OUTPUT RPM	REDUCER SELECTION	MINIMUM SHEAVE DIA.
2	5 ~ 7	PT26307-25	6.2
	8 ~ 13	PT25215-25	5.4
	14 ~ 21	PT24207-25	4.6
	22 ~ 36	PT23203-25 PT23203-15	4.0
	37 ~ 71	PT22115-25 PT22115-15	3.0
	72 ~ 85	PT21107-25 PT21107-15	3.0
	86 ~ 115	PT21107-15 PT21107-09	3.0/4.0
	116 ~ 140	PT21107-15 PT21107-09	3.0/4.0
	141 ~ 200	PT21107-09	4.0
3	4 ~ 5	PT28407-25	6.2
	6 ~ 7	PT27315-25	6.2
	8 ~ 12	PT26307-25	6.2
	13 ~ 20	PT25215-25	5.4
	21 ~ 32	PT24207-25 PT24207-15	4.6
	33 ~ 57	PT23203-25 PT23203-15	4.0
	58 ~ 70	PT22115-25 PT22115-15	3.0
	71 ~ 85	PT22115-25 PT22115-15	3.0
	86 ~ 89	PT22115-15 PT22115-09	3.0/5.0
	90 ~ 113	PT22115-15 PT22115-09	3.0/5.0
	114 ~ 140	PT21107-15 PT21107-09	3.0/4.0
141 ~ 200	PT21107-09	4.0	
5	5	PT29415-25	8.0
	6 ~ 8	PT28407-25	6.2
	9 ~ 12	PT27315-25	6.2
	13 ~ 20	PT26307-25	6.2
	21 ~ 36	PT25215-25 PT25215-15	5.4
	37 ~ 56	PT24207-25 PT24207-15	4.6
	57 ~ 70	PT23203-25 PT23203-15	4.0
	71 ~ 85	PT23203-25 PT23203-15	4.0
	86 ~ 103	PT23203-15 PT23203-09	4.0/5.0
	104 ~ 114	PT22115-15 PT23203-09	3.0/5.0
	115 ~ 140	PT22115-15 PT22115-09	3.0/5.0
	141 ~ 167	PT22115-09	5.0
	168 ~ 200	PT22115-09	5.0
	7.5	5 ~ 6	PT210507-25
7 ~ 8		PT29415-25	8.0
9 ~ 13		PT28407-25	6.2
14 ~ 19		PT27315-25	6.2
20 ~ 32		PT26307-25 PT26307-15	6.2
33 ~ 56		PT25215-25 PT25215-15	5.4
57 ~ 70		PT24207-25 PT24207-15	4.6
71 ~ 85		PT24207-25 PT24207-15	4.6
86 ~ 93		PT24207-15 PT24207-09	4.6/6.5
94 ~ 140		PT23203-15 PT23203-09	4.0/5.0
141 ~ 144		PT23203-09	5.0
145 ~ 200		PT23203-09	5.0

# Hub City™ PowerTorque® Shaft Mount Reducers

## Selection By Input Horsepower

### Class III Service (cont'd)

HP	OUTPUT RPM	REDUCER SELECTION		MINIMUM SHEAVE DIA.
10	7 ~ 8	PT210507-25		8.5
	9 ~ 12	PT29415-25		8.0
	13 ~ 18	PT28407-25		6.2
	19 ~ 26	PT27315-25	PT27315-15	6.2
	27 ~ 45	PT26307-25	PT26307-15	6.2
	46 ~ 70	PT25215-25	PT25215-15	5.4
	71 ~ 78	PT25215-25	PT25215-15	5.4
	79 ~ 92		PT24207-15	4.6
	93 ~ 105	PT24207-15	PT24207-09	4.6/6.5
	106 ~ 141	PT24207-15	PT24207-09	4.6/6.5
142 ~ 200		PT23203-09	5.0	
15	10 ~ 13	PT210507-25		8.5
	14 ~ 19	PT29415-25		8.0
	20 ~ 28	PT28407-25	PT28407-15	6.2
	29 ~ 41	PT27315-25	PT27315-15	6.2
	42 ~ 70	PT26307-25	PT26307-15	6.2
	71 ~ 75	PT26307-25	PT26307-15	6.2
	76 ~ 93		PT25215-15	5.4
	94 ~ 115	PT25215-15	PT25215-09	5.4/7.0
	116 ~ 125	PT25215-15	PT25215-09	5.4/7.0
	126 ~ 131		PT25215-09	7.0
132 ~ 200		PT24207-09	6.5	
20	13 ~ 18	PT210507-25		8.5
	19 ~ 25	PT29415-25	PT29415-15	8.0
	26 ~ 38	PT28407-25	PT28407-15	6.2
	39 ~ 57	PT27315-25	PT27315-15	6.2
	58 ~ 70	PT26307-25	PT26307-15	6.2
	71 ~ 114	PT26307-15	PT26307-09	6.2/7.0
	115 ~ 125	PT25215-15*	PT25215-09*	5.4/7.0
	126 ~ 200		PT25215-09*	7.0
25	16 ~ 22	PT210507-25		8.5
	23 ~ 32	PT29415-25	PT29415-15	8.0
	33 ~ 49	PT28407-25	PT28407-15	6.2
	50 ~ 70	PT27315-25	PT27315-15	6.2
	71 ~ 74	PT27315-25	PT27315-15	6.2
	75 ~ 104	PT26307-15		6.2
	105 ~ 113	PT26307-15*	PT26307-09	6.2/7.0
	114 ~ 125	PT26307-15*	PT26307-09*	6.2/7.0
126 ~ 200		PT26307-09*	7.0	
30	19 ~ 27	PT210507-25		8.5
	28 ~ 39	PT29415-25	PT29415-15	8.0
	40 ~ 60	PT28407-25	PT28407-15	6.2
	61 ~ 70	PT27315-25	PT27315-15	6.2
	71 ~ 98		PT27315-15	6.2
	99 ~ 125	PT26307-15		6.2
	126 ~ 131		PT26307-09*	7.0
	132 ~ 200		PT26307-09*	7.0

HP	OUTPUT RPM	REDUCER SELECTION		MINIMUM SHEAVE DIA.
40	26 ~ 37	PT210507-25		8.5
	38 ~ 53	PT29415-25	PT29415-15	8.0
	54 ~ 70	PT28407-25	PT28407-15	6.2
	71 ~ 84		PT28407-15	6.2
	85 ~ 89	PT27315-15	PT27315-09	6.2/7.0
	90 ~ 120	PT27315-15*	PT27315-09	6.2/7.0
	121 ~ 200	PT27315-09*		7.0
50	32 ~ 46	PT210507-25		8.5
	47 ~ 69	PT29415-25	PT29415-15	8.0
	70 ~ 75	PT28407-25	PT28407-15	6.2
	76 ~ 110		PT28407-15	6.2
	111 ~ 120	PT27315-15*	PT27315-09*	6.2/7.0
	121 ~ 123		PT27315-09*	7.0
124 ~ 200		PT27315-09*	7.0	
60	39 ~ 56	PT210507-25		8.5
	57 ~ 75	PT29415-25	PT29415-15	8.0
	76 ~ 85		PT29415-15	8.0
	86 ~ 115		PT28407-15	6.2
	142 ~ 161		PT27315-09*	7.0
	162 ~ 200		PT27315-09*	7.0
75	50 ~ 72	PT210507-25		8.5
	73 ~ 75	PT29415-25*	PT29415-15*	8.0
	76 ~ 120		PT29415-15*	8.0

\*Additional Cooling Provisions May Be Required. Consult Factory with Application Details.

PowerTorque® Shaft Mount Reducers



# Hub City™ PowerTorque® Shaft Mount Reducers

## Mechanical Ratings

### 9/1 Nominal Ratio

OUTPUT RPM	PT21107		PT22115		PT23203		PT24207	
	ACTUAL RATIO 8.92:1		ACTUAL RATIO 9.25:1		ACTUAL RATIO 8.91:1		ACTUAL RATIO 9.68:1	
	INPUT HP	OUTPUT TORQUE (IN-LB)	INPUT HP	OUTPUT TORQUE (IN-LB)	INPUT HP	OUTPUT TORQUE (IN-LB)	INPUT HP	OUTPUT TORQUE (IN-LB)
200	9.1	2753	11.6	3494	30.1	9118	45.0	13598
190	8.8	2802	11.0	3503	28.7	9133	42.7	13604
180	8.5	2857	10.4	3503	27.2	9150	40.6	13630
170	8.3	2954	9.9	3506	25.8	9165	38.3	13635
160	8.0	3025	9.3	3513	24.3	9178	36.1	13663
150	7.6	3066	8.7	3517	22.8	9193	33.9	13666
140	7.2	3112	8.1	3518	21.3	9205	31.7	13700
120	6.4	3227	7.0	3529	18.3	9247	27.3	13739
100	5.6	3388	5.9	3539	15.3	9281	22.8	13783

### 15/1 Nominal Ratio

OUTPUT RPM	PT21107		PT22115		PT23203		PT24207		PT25215	
	ACTUAL RATIO 15.35:1		ACTUAL RATIO 14.10:1		ACTUAL RATIO 14.88:1		ACTUAL RATIO 15.13:1		ACTUAL RATIO 15.40:1	
	INPUT HP	OUTPUT TORQUE (IN-LB)	INPUT HP	OUTPUT TORQUE (IN-LB)	INPUT HP	OUTPUT TORQUE (IN-LB)	INPUT HP	OUTPUT TORQUE (IN-LB)	INPUT HP	OUTPUT TORQUE (IN-LB)
140	7.5	3220	11.6	5013	19.7	8496	31.8	13743		
130	7.0	3235	11.0	5124	18.7	8689	30.2	14051	44.0	20464
120	6.5	3252	10.4	5249	17.7	8899	28.6	14395	41.6	20955
100	5.4	3291	9.2	5548	15.5	9402	25.1	15205	36.6	22132
80	4.4	3343	7.8	5929	13.3	10051	20.5	15497	31.3	23657
60	3.4	3398	6.4	6464	10.5	10558	15.7	15822	25.6	25805
40	2.3	3479	4.8	7306	7.2	10891	10.7	16215	18.2	27529
30	1.7	3509	3.9	7765	5.4	10951	8.2	16457	13.9	27973
20	1.2	3570	2.6	7896	3.7	11133	5.5	16760	9.6	28891

### 25/1 Nominal Ratio

OUTPUT RPM	PT21107		PT22115		PT23203		PT24207		PT25215	
	ACTUAL RATIO 23.93:1		ACTUAL RATIO 23.46:1		ACTUAL RATIO 24.71:1		ACTUAL RATIO 24.38:1		ACTUAL RATIO 25.56:1	
	INPUT HP	OUTPUT TORQUE (IN-LB)	INPUT HP	OUTPUT TORQUE (IN-LB)	INPUT HP	OUTPUT TORQUE (IN-LB)	INPUT HP	OUTPUT TORQUE (IN-LB)	INPUT HP	OUTPUT TORQUE (IN-LB)
85	4.7	3310	8.1	5787	14.2	10093	21.5	15332	32.6	23234
75	4.2	3348	7.5	6067	12.7	10245	19.3	15570	29.9	24121
65	3.7	3398	6.8	6339	11.2	10416	17.0	15824	27.1	25179
55	3.1	3454	6.1	6655	9.6	10594	14.7	16116	24.1	26468
45	2.6	3496	5.2	7018	8.0	10810	12.2	16457	20.2	27133
35	2.1	3578	4.2	7174	6.4	11029	9.7	16837	16.1	27797
25	1.5	3654	3.0	7357	4.6	11205	7.2	17328	11.8	28630
15	0.94	3792	1.9	7543	2.8	11415	4.4	17788	7.3	29244
5	0.32	3872	0.65	7866	1.0	11617	1.5	18030	2.5	30131

# Hub City™ PowerTorque® Shaft Mount Reducers

## Mechanical Ratings

### 9/1 Nominal Ratio

OUTPUT RPM	PT25215		PT26307		PT27315	
	ACTUAL RATIO 8.96:1		ACTUAL RATIO 9.21:1		ACTUAL RATIO 9.62:1	
	INPUT HP	OUTPUT TORQUE (IN-LB)	INPUT HP	OUTPUT TORQUE (IN-LB)	INPUT HP	OUTPUT TORQUE (IN-LB)
200	68.0	20577	95.3	28839	151	45535
190	64.7	20594	90.7	28895	145	46066
180	61.4	20642	86.0	28914	139	46605
170	58.1	20664	81.4	28978	132	47150
160	54.7	20681	76.7	28997	126	47700
150	51.3	20700	72.1	29066	119	48173
140	48.0	20762	67.3	29085	114	49423
120	41.3	20803	57.9	29183	99.8	50339
100	34.6	20904	48.4	29290	84.8	51313

### 15/1 Nominal Ratio

OUTPUT RPM	PT26307		PT27315		PT28407		PT29415	
	ACTUAL RATIO 15.33:1		ACTUAL RATIO 15.23:1		ACTUAL RATIO 15.08:1		ACTUAL RATIO 15.12:1	
	INPUT HP	OUTPUT TORQUE (IN-LB)	INPUT HP	OUTPUT TORQUE (IN-LB)	INPUT HP	OUTPUT TORQUE (IN-LB)	INPUT HP	OUTPUT TORQUE (IN-LB)
140								
130	82.9	38583						
120	77.1	38894	100	50596	163	82270	236	118795
100	65.4	39576	88.4	53473	139	83883	200	121208
80	53.4	40364	75.7	57222	113	85711	164	124018
60	41.0	41294	60.3	60756	87.2	87973	126.3	127391
40	28.1	42444	41.4	62561	60.0	90741	87.0	131626
30	21.4	43180	31.6	63711	45.9	92490	66.6	134258
20	15.0	45227	21.5	65072	31.3	94628	45.5	137526

### 25/1 Nominal Ratio

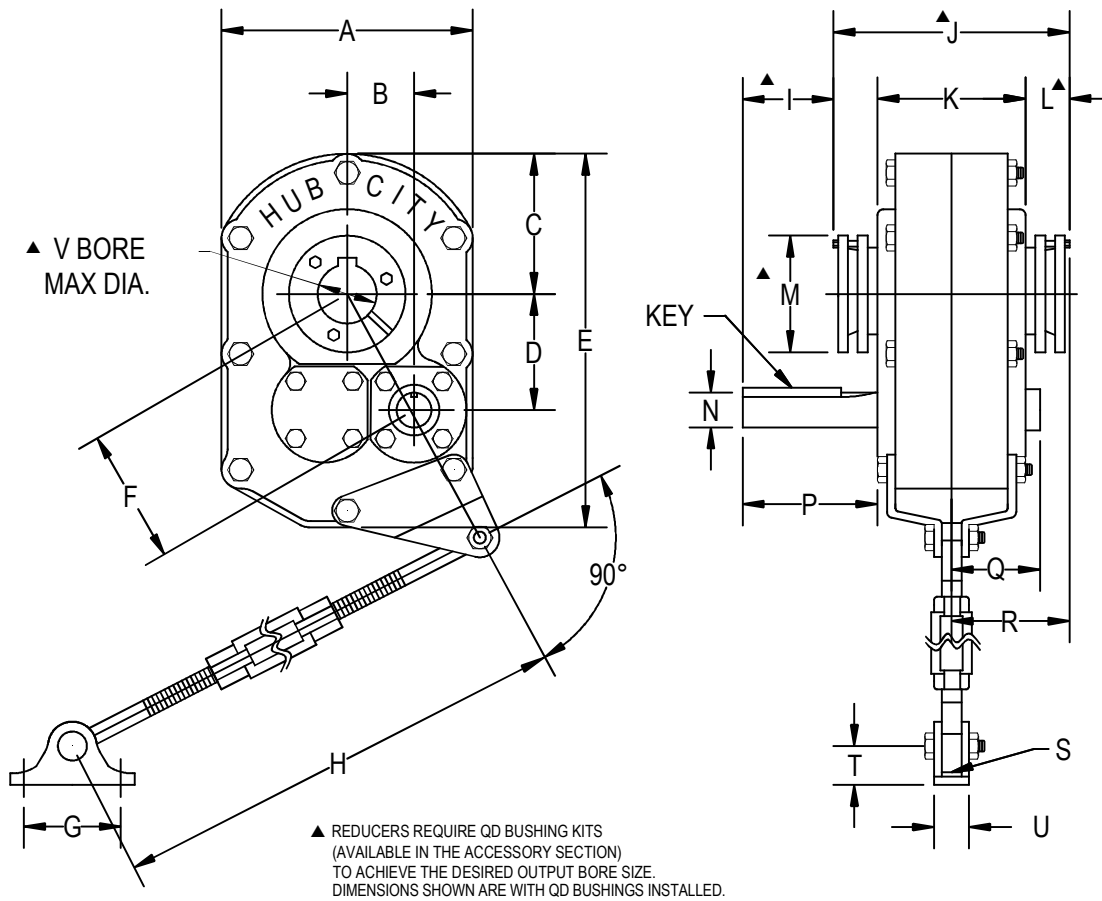
OUTPUT RPM	PT26307		PT27315		PT28407		PT29415		PT210507	
	ACTUAL RATIO 25.13:1		ACTUAL RATIO 24.59:1		ACTUAL RATIO 24.62:1		ACTUAL RATIO 25.97:1		ACTUAL RATIO 24.30:1	
	INPUT HP	OUTPUT TORQUE (IN-LB)	INPUT HP	OUTPUT TORQUE (IN-LB)	INPUT HP	OUTPUT TORQUE (IN-LB)	INPUT HP	OUTPUT TORQUE (IN-LB)	INPUT HP	OUTPUT TORQUE (IN-LB)
85	56.0	39890								
75	50.3	40578	72.1	58197	105	84706	155	124800	216	174252
65	44.4	41338	63.7	59331	94.4	87908	135.8	126425	193.2	179827
55	38.4	42188	55.1	60614	81.8	90008	116.6	128290	166.0	182590
45	32.1	43160	45.2	60706	68.2	91697	97.0	130460	138.2	185801
35	25.6	44306	36.4	62838	53.4	92260	76.9	132867	109.5	189343
25	18.9	45620	26.2	63408	38.5	93128	56.1	135795	80.1	193831
15	11.8	47395	16.0	64699	23.6	94991	34.6	139563	49.5	199542
5	4.0	48282	5.4	65223	8.5	102252	12.0	145452	17.2	208497

PowerTorque® Shaft Mount Reducers



# Hub City™ PowerTorque® Shaft Mount Reducers

## Dimensions



MODEL	A	B	C	D	E	F	G	H MIN/MAX	I	J	K
PT21107	7.13	1.91	3.75	3.18	9.94	3.71	2.50	23.81/29.63	2.03	7.06	4.06
PT22115	8.38	2.14	4.09	3.75	11.41	4.32	3.00	26.94/32.94	2.22	7.32	4.50
PT23203	9.25	2.33	4.84	4.17	12.88	4.78	3.00	26.94/32.94	2.34	9.22	5.63
PT24207	10.38	2.76	5.50	4.79	15.13	5.53	4.00	29.19/35.14	3.44	9.98	6.13
PT25215	13.13	3.04	6.56	5.67	18.31	6.43	4.00	29.19/35.19	3.44	10.52	6.31
PT26307	15.43	4.09	7.56	6.73	21.31	7.88	4.75	29.19/35.19	3.73	11.53	6.88
PT27315	18.75	5.11	9.38	8.30	25.94	9.74	4.75	29.44/35.44	3.75	12.85	7.75
PT28407	20.25	6.03	10.13	9.50	28.25	11.25	7.00	30.00/36.00	4.31	14.03	8.37
PT29415	22.63	6.59	11.31	10.81	31.69	12.66	7.00	30.00/36.00	3.63	14.12	8.12
PT210507	25.50	6.59	12.75	12.50	35.08	14.13	7.00	30.00/36.00	6.53	15.30	9.34

MODEL	L	M	Q	R	S	T	U	V MAX DIA	INPUT SHAFT			APPROX WEIGHT (LB)
									N DIA	P	KEY	
PT21107	1.30	3.25	2.67	3.55	.38	.94	1.06	1-7/16	0.750	2.70	3/16x3/16x1-29/32	45
PT22115	1.40	4.06	2.89	3.68	0.44	1.06	1.25	1 15/16	1.125	3.75	1/4x1/4x1-15/16	58
PT23203	1.59	4.38	3.30	3.72	0.44	1.06	1.25	2 3/16	1.250	3.89	1/4x1/4x2-13/16	98
PT24207	1.72	4.81	3.41	3.91	0.50	1.75	1.44	2 7/16	1.438	5.21	3/8x3/8x4	139
PT25215	1.91	5.63	4.45	5.05	0.50	1.75	1.44	2 15/16	1.938	5.36	1/2x1/2x4	207
PT26307	2.30	6.13	4.57	5.73	0.63	2.00	2.75	3 7/16	2.188	5.69	1/2x1/2x4-13/32	285
PT27315	2.50	7.25	4.69	6.38	0.63	2.00	2.75	3 15/16	2.438	5.90	5/8x5/8x4-1/2	462
PT28407	2.86	7.75	5.85	7.04	0.75	3.13	4.00	4 7/16	2.438	6.64	5/8x5/8x5-5/16	633
PT29415	2.98	8.75	5.66	7.04	0.75	3.13	4.00	4 5/16	2.438	9.26	5/8x5/8x6-1/2	760
PT210507	2.99	10.13	6.96	7.66	0.75	3.13	4.00	5 7/16	2.688	9.09	5/8x5/8x7-11/16	1020

For Lubrication and Installation Instructions Refer to Section M.

DOWNLOAD AVAILABLE CAD MODELS AT: [WWW.HUBCITYINC.COM](http://WWW.HUBCITYINC.COM)

Certified prints are available upon request

CALL: (605) 225-0360 • FAX: (605) 225-0567

### Tapered Bushing Kits

- Flanged bushing mount
- Removal screws allow for easy demounting
- Ductile iron material for shock resistance
- Clamp fit, no setscrews
- Split design eliminates seizing problems
- Kits include two bushings, key and mounting hardware



SHAFT MOUNT MODEL	BORE SIZE	PART NUMBER	WEIGHT (LBS.)	SHAFT MOUNT MODEL	BORE SIZE	PART NUMBER	WEIGHT (LBS.)
PT21107	1-7/16	0279-00001	2.8	PT26307	3-7/16	0279-00076	9
	1-3/8	0279-00002	2.9		3	0279-00077	11.4
	1-5/16	0279-00003	2.9		2-15/16	0279-00078	11.7
	1-1/4	0279-00004	3.0		2-7/16	0279-00082	12.4
PT22115	1-15/16	0279-00016	3	PT27315	3-15/16	0279-00091	12.9
	1-3/4	0279-00017	3.4		3-7/16	0279-00092	13.9
	1-11/16	0279-00018	3.5		3-3/16	0279-00093	16.8
	1-5/8	0279-00019	3.6		3	0279-00094	19.2
PT23203	2-3/16	0279-00031	3.7	PT28407	4-7/16	0279-00106	15.1
	2	0279-00032	4.3		4-3/16	0279-00107	17.4
	1-15/16	0279-00033	4.6		3-15/16	0279-00108	20.2
	1-7/8	0279-00034	4.8		3-7/16	0279-00109	25.6
PT24207	2-7/16	0279-00046	5.9	PT29415	4-15/16	0279-00120	25
	2-1/4	0279-00047	6.4		4-7/16	0279-00121	27
	2-3/16	0279-00048	6.8		3-15/16	0279-00122	28
	2-1/8	0279-00049	7.1		3-7/16	0279-00123	30
PT25215	2-15/16	0279-00061	7.8	PT210507	5-7/16	0279-00136	28
	2-11/16	0279-00062	7.9		4-15/16	0279-00137	33
	2-1/2	0279-00063	8.5		4-7/16	0279-00138	36
	2-7/16	0279-00064	8.6		3-15/16	0279-00139	40

### Backstop Kits

- Quick installation on input shaft
- Internally installed, sealed from contamination
- Lubricated by internal gear lubricant
- Designed to operate in either direction



SHAFT MOUNT MODEL	PART NUMBER	WEIGHT (LBS.)
PT21107 & PT22115	0279-00166	1
PT22115*	0279-00167	1
PT23203	0279-00166	1
PT24207	0279-00169	1.2
PT25215	0279-00170	2.2
PT26307	0279-00171	2.5
PT27315	0279-00172	2.8
PT28407 & PT29415	0279-00173	3.8
PT210507	0279-00175	6

\* Use for PT2115 without end caps (ball bearing)

DOWNLOAD AVAILABLE CAD MODELS AT: [WWW.HUBCITYINC.COM](http://WWW.HUBCITYINC.COM)

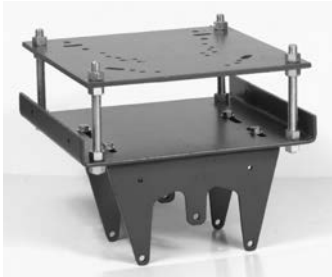
Certified prints are available upon request

EMAIL: [hubsales@regalbelloit.com](mailto:hubsales@regalbelloit.com) • [www.regalbelloit.com](http://www.regalbelloit.com)

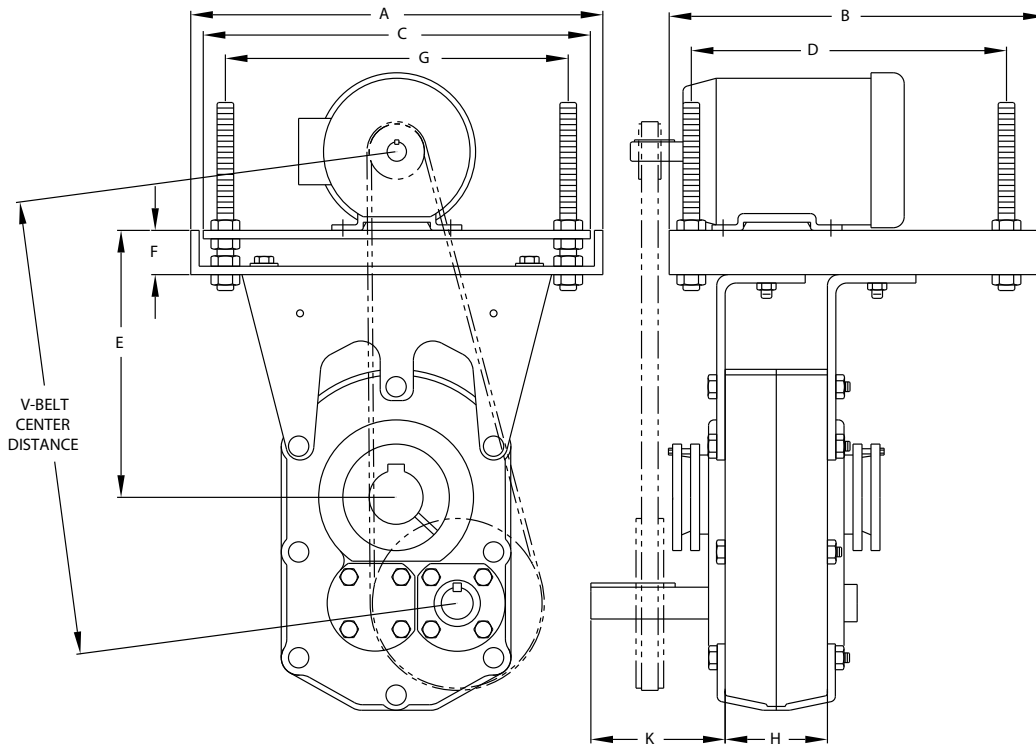
# Hub City™ PowerTorque® Shaft Mount Reducers

## Accessories

### Vertical Motor Mounts



All-Steel construction for rigidity  
Compact design eliminates need for motor base  
Top plate adjusts for easy tensioning of drive belt  
Mounting holes provided match NEMA standards



NOTE: SHIELDS/GUARDS NOT SHOWN FOR ILLUSTRATION PURPOSES

DOWNLOAD AVAILABLE CAD MODELS AT: [WWW.HUBCITYINC.COM](http://WWW.HUBCITYINC.COM)

**Certified prints are available upon request**

**CALL: (605) 225-0360 • FAX: (605) 225-0567**



# Hub City™ PowerTorque® Shaft Mount Reducers

## Accessories

### Vertical Motor Mounts

SHAFT MOUNT	PART NUMBER	NEMA MOTOR	V-BELT CENTER DISTANCE FOR NEMA MOTOR FRAMES													
			56-140 MIN	56-140 MAX	180 MIN	180 MAX	210 MIN	210 MAX	250 MIN	250 MAX	280 MIN	280 MAX	320 MIN	320 MAX	360 MIN	360 MAX
PT21107	0279-00180	56C-215T	17.6	21.0	18.5	22.0	19.3	22.7								
PT22115	0279-00181	56C-215T	18.7	22.1	19.7	23.1	20.5	23.9								
PT23203	0279-00182	56C-215T	20.2	23.6	21.2	24.6	22.0	25.3								
PT23203	0279-00183	143T-286T	20.4	23.8	21.4	24.8	22.2	25.5	23.2	26.5	23.9	27.2				
PT24207	0279-00184	143T-286T	21.2	25.2	22.2	26.2	23.0	26.9	23.9	27.9	24.7	28.7				
PT24207	0279-00189	143T-326T	21.3	25.3	22.3	26.3	23.1	27.0	24.0	28.0	24.8	28.8	25.8	29.8		
PT25215	0279-00185	143T-286T	22.7	26.6	23.7	27.6	24.4	28.4	25.4	29.4	26.2	30.1				
PT25215	0279-00186	143T-326T	22.8	26.7	23.8	27.7	24.5	28.5	25.5	29.5	26.3	30.2	27.3	31.2		
PT26307	0279-00187	143T-326T	25.9	29.7	26.9	30.7	31.4	37.6	28.6	32.4	29.4	33.2	30.4	34.2		
PT27315	0279-00188	143T-365T	30.6	34.4	31.6	35.4	32.4	36.2	33.4	37.2	34.1	37.9	35.1	38.9	36.1	39.9
PT28407	0279-00190	143T-365T	31.9	36.4	32.9	37.4	33.7	38.2	34.7	39.2	35.4	39.9	36.4	40.9	37.4	41.9
PT29415	0279-00191	143T-365T	32.0	35.8	33.0	36.8	33.8	37.6	34.8	38.6	32.8	39.3	36.5	40.3	37.5	41.4
PT210507	0279-00193	143T-365T	33.5	37.3	34.5	38.3	35.3	39.1	36.3	40.1	34.3	40.8	38.0	41.8	39.0	42.9

SHAFT MOUNT	PART NUMBER	WEIGHT (LBS.)	A	B	C	D	E		F	G	H	J	K
							MIN	MAX					
PT21107	0279-00180	35	14.63	11.00	13.50	9.25	10.0	14.2	1.59	12.00	3.38	5/8x7	3.88
PT22115	0279-00181	35	14.63	11.00	13.50	9.25	10.6	14.8	1.59	12.00	3.38	5/8x7	4.18
PT23203	0279-00182	35	14.63	11.00	13.50	9.25	11.6	15.9	1.59	12.00	4.25	5/8x8	4.88
PT23203	0279-00183	77	18.63	17.00	17.50	14.25	11.8	16.0	1.78	15.50	4.25	3/4x8	4.88
PT24207	0279-00184	87	18.63	17.00	17.50	14.25	12.0	16.7	1.78	15.50	4.63	3/4x8	6.13
PT24207	0279-00189	121	20.50	18.50	19.25	16.50	12.0	16.8	1.84	17.50	4.63	3/4x8	6.13
PT25215	0279-00185	84	18.63	17.00	17.50	14.25	12.5	17.3	1.78	15.50	4.13	3/4x8	6.65
PT25215	0279-00186	118	20.50	18.50	19.25	16.50	12.5	17.3	1.84	17.50	4.13	3/4x8	6.65
PT26307	0279-00187	118	20.50	18.50	19.25	16.50	14.6	19.3	1.84	17.50	4.50	3/4x8	7.31
PT27315	0279-00188	148	22.50	19.00	21.25	16.50	17.6	22.1	2.50	19.25	4.75	1x9	7.81
PT28407	0279-00190	148	22.50	19.00	21.25	16.50	18.3	22.8	2.50	19.25	4.75	1x9	8.81
PT29415	0279-00191	125	22.50	19.00	21.25	16.50	19.0	23.5	2.50	19.25	5.40	1x9	11.08
PT210507	0279-00193	135	22.50	19.00	21.25	16.50	20.5	25.0	2.50	19.25	6.18	1x9	11.15

### Vertical Long Motor Mounts

SHAFT MOUNT	PART NUMBER	NEMA MOTOR	V-BELT CENTER DISTANCE FOR NEMA MOTOR FRAMES													
			56-140 MIN	56-140 MAX	180 MIN	180 MAX	210 MIN	210 MAX	250 MIN	250 MAX	280 MIN	280 MAX	320 MIN	320 MAX	360 MIN	360 MAX
PT21107	0279-00196	56C-215T	20.6	24.0	21.5	25.0	22.3	25.7								
PT22115	0279-00197	56C-215T	21.7	25.1	22.7	26.1	23.5	26.9								
PT23203	0279-00198	56C-215T	23.2	26.6	24.2	27.6	25.0	28.3								
PT23203	0279-00199	143T-286T	23.4	26.8	24.4	27.8	25.2	28.5	26.2	29.5	26.9	30.2				
PT24207	0279-00200	143T-286T	25.7	29.7	26.7	30.7	27.5	31.4	28.4	32.4	29.2	33.2				
PT24207	0279-00201	143T-326T	25.8	29.8	26.8	30.8	27.6	31.5	28.5	32.5	29.3	33.3	30.3	34.3		
PT25215	0279-00202	143T-286T	29.5	33.4	30.5	34.4	31.2	35.2	32.2	36.2	33.0	36.9				
PT25215	0279-00203	143T-326T	29.5	33.4	30.5	34.4	31.2	35.2	32.2	36.2	33.0	36.9	34.0	37.9		
PT26307	0279-00204	143T-326T	39.9	43.7	40.9	44.7	45.4	51.6	42.6	46.4	43.4	47.2	44.4	48.2		
PT27315	0279-00205	143T-365T	45.6	49.4	46.6	50.4	47.4	51.2	48.4	52.2	49.1	52.9	50.1	53.9	51.1	54.9
PT28407	0279-00206	143T-365T	44.9	49.4	45.9	50.4	46.7	51.2	47.7	52.2	48.4	52.9	49.4	53.9	50.4	54.9

SHAFT MOUNT	PART NUMBER	WEIGHT (LBS.)	A	B	C	D	E		F	G	H	J	K
							MIN	MAX					
PT21107	0279-00196	41	14.63	11.00	13.50	9.25	13.0	17.2	1.59	12.00	3.38	5/8x7	3.88
PT22115	0279-00197	41	14.63	11.00	13.50	9.25	13.6	17.8	1.59	12.00	3.38	5/8x7	4.18
PT23203	0279-00198	41	14.63	11.00	13.50	9.25	14.6	18.8	1.59	12.00	4.25	5/8x8	4.88
PT23203	0279-00199	83	18.63	17.00	17.50	14.25	14.8	19.0	1.78	15.50	4.25	3/4x8	4.88
PT24207	0279-00200	95	18.63	17.00	17.50	14.25	16.5	21.2	1.78	15.50	4.63	3/4x8	6.13
PT24207	0279-00201	129	20.50	18.50	19.25	16.50	16.5	21.3	1.84	17.50	4.63	3/4x8	6.13
PT25215	0279-00202	106	18.63	17.00	17.50	14.25	19.3	24.0	1.78	15.50	4.13	3/4x8	6.65
PT25215	0279-00203	137	20.50	18.50	19.25	16.50	19.3	24.0	1.84	17.50	4.13	3/4x8	6.65
PT26307	0279-00204	142	20.50	18.50	19.25	16.50	28.6	33.3	1.84	17.50	4.50	3/4x8	7.31
PT27315	0279-00205	206	22.50	19.00	21.25	16.50	32.5	37.2	2.50	19.25	4.75	1x9	7.81
PT28407	0279-00206	206	22.50	19.00	21.25	16.50	31.6	36.1	2.50	19.25	4.75	1x9	8.81

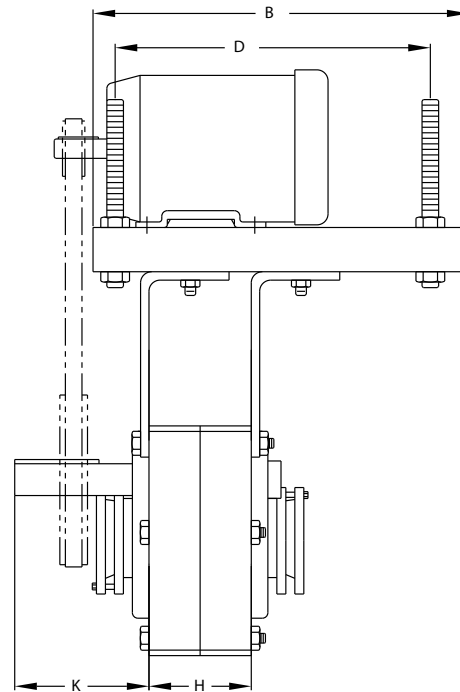
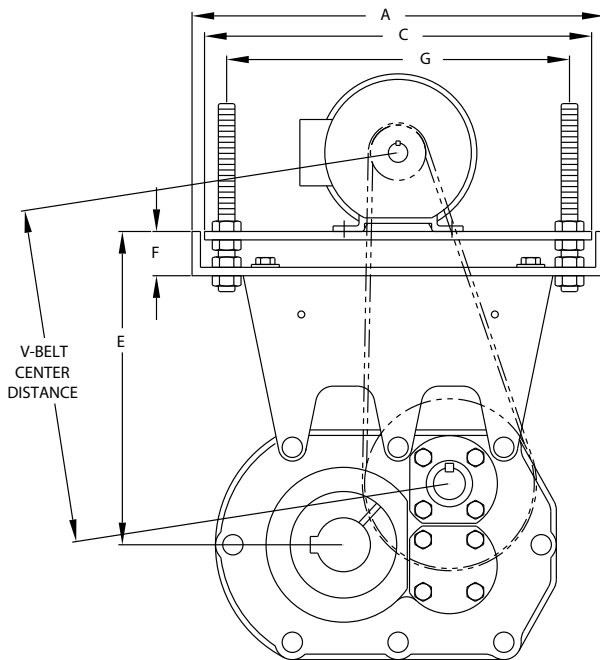
# Hub City™ PowerTorque® Shaft Mount Reducers

## Accessories

### Horizontal Motor Mounts

#### Features

- All-Steel construction for rigidity
- Compact design eliminates need for motor base
- Top plate adjusts for easy tensioning of drive belt
- Mounting holes provided match NEMA standards



NOTE: SHIELDS/GUARDS NOT SHOWN FOR ILLUSTRATION PURPOSES

DOWNLOAD AVAILABLE CAD MODELS AT: [WWW.HUBCITYINC.COM](http://WWW.HUBCITYINC.COM)

Certified prints are available upon request

CALL: (605) 225-0360 • FAX: (605) 225-0567

# Hub City™ PowerTorque® Shaft Mount Reducers

## Accessories

### Horizontal Motor Mounts

SHAFT MOUNT	PART NUMBER	NEMA MOTOR	SCREW DIAMETERS	V-BELT CENTER DISTANCE FOR NEMA MOTOR FRAMES													
				56-140 MIN	56-140 MAX	180 MIN	180 MAX	210 MIN	210 MAX	250 MIN	250 MAX	280 MIN	280 MAX	320 MIN	320 MAX	360 MIN	360 MAX
PT21107	0279-00270	56C-215T	6 - 12	13.5	17.0	14.5	18	15.3	19.0								
PT22115	0279-00271	56C-215T	6 - 14	14.9	18.3	15.9	19.3	16.6	20.0								
PT23203	0279-00272	56C-215T	6 - 16	15.8	19.3	16.8	20.3	17.6	21.0								
PT23203	0279-00273	143T-286T	6 - 16	16.0	19.5	17.0	20.5	17.8	21.2	18.8	22.2	19.6	22.9				
PT24207	0279-00274	143T-286T	9 - 18	16.9	21.0	17.9	22.0	18.6	22.7	19.6	23.7	20.4	24.5				
PT24207	0279-00275	143T-326T	9 - 18	16.9	21.0	17.9	22.0	18.6	22.7	19.6	23.7	20.4	24.5	21.4	25.4		
PT25215	0279-00276	143T-286T	9 - 18	16.6	20.7	17.6	21.7	18.4	22.4	19.4	23.4	20.0	24.2				
PT25215	0279-00277	143T-326T	9 - 18	16.6	20.7	17.6	21.7	18.4	22.4	19.4	23.4	20.0	24.2	21.1	25.2		
PT26307	0279-00278	143T-326T	12 - 20	17.0	21.0	18.0	22.0	18.8	22.8	19.7	23.8	20.5	24.5	21.5	25.5		
PT27315	0279-00279	143T-365T	12 - 20	22.1	25.6	23.1	26.5	23.8	27.3	24.8	28.3	25.6	29.0	26.6	30.0	27.5	31.0
PT28407	0279-00280	143T-365T	NA	16.1	20.6	17.1	21.6	17.9	22.4	18.9	23.4	19.6	24.1	20.6	25.1	21.6	26.1

SHAFT MOUNT	PART NUMBER	WEIGHT (LBS.)	A	B	C	D	E		F	G	H	J	K
							MIN	MAX					
PT21107	0279-00270	39	14.63	11.00	13.50	9.25	11.1	15.3	1.59	12.00	3.38	5/8x7	3.88
PT22115	0279-00271	40	14.63	11.00	13.50	9.25	12.6	16.8	1.59	12.00	3.38	5/8x7	4.18
PT23203	0279-00272	41	14.63	11.00	13.50	9.25	13.8	18.0	1.59	12.00	4.25	5/8x8	4.88
PT23203	0279-00273	83	18.63	17.00	17.50	14.25	14.0	18.2	1.78	15.50	4.25	3/4x8	4.88
PT24207	0279-00274	97	18.63	17.00	17.50	14.25	15.3	20.1	1.78	15.50	4.63	3/4x8	6.13
PT24207	0279-00275	121	20.50	18.50	19.25	16.50	15.3	20.1	1.84	17.50	4.63	3/4x8	6.13
PT25215	0279-00276	95	18.63	17.00	17.50	14.25	15.3	20.1	1.78	15.50	4.13	3/4x8	6.65
PT25215	0279-00277	122	20.50	18.50	19.25	16.50	15.3	20.1	1.84	17.50	4.13	3/4x8	6.65
PT26307	0279-00278	123	20.50	18.50	19.25	16.50	16.7	21.4	1.84	17.50	4.50	3/4x8	7.31
PT27315	0279-00279	148	22.50	19.00	21.25	16.50	17.5	21.7	2.50	19.25	4.75	1x9	7.81
PT28407	0279-00280	148	22.50	19.00	21.25	16.50	18.3	22.8	2.50	19.25	4.75	1x9	7.81

### Horizontal Long Motor Mounts

SHAFT MOUNT	PART NUMBER	NEMA MOTOR	SCREW DIAMETERS	V-BELT CENTER DISTANCE FOR NEMA MOTOR FRAMES													
				56-140 MIN	56-140 MAX	180 MIN	180 MAX	210 MIN	210 MAX	250 MIN	250 MAX	280 MIN	280 MAX	320 MIN	320 MAX	360 MIN	360 MAX
PT21107	0279-00290	56C-215T	14 - 20	19.5	22.9	20.5	23.9	21.2	24.7								
PT22115	0279-00291	56C-215T	16 - 20	20.9	24.3	21.9	25.3	22.6	26.0								
PT23203	0279-00292	56C-215T	18 - 20	21.8	25.3	22.8	26.3	23.6	27.0								
PT23203	0279-00293	143T-286T	18 - 20	22.0	25.5	23.0	26.5	23.8	27.2	24.8	28.2	25.6	28.9				
PT24207	0279-00294	143T-286T	20 - 24	23.2	27.0	24.2	28.0	24.9	28.6	25.9	29.6	26.7	30.4				
PT24207	0279-00295	143T-326T	20 - 24	23.2	27.0	24.2	28.0	24.9	28.6	25.9	29.6	26.7	30.4	27.4	31.4		
PT25215	0279-00296	143T-286T	20 - 24	22.9	26.6	23.9	27.6	24.7	28.4	25.7	29.4	26.4	30.1				
PT25215	0279-00297	143T-326T	20 - 24	22.9	26.6	23.9	27.6	24.7	28.4	25.7	29.4	26.4	30.1	27.1	31.2		
PT26307	0279-00298	143T-326T	24	23.2	27.0	24.2	27.9	24.9	28.7	25.9	29.7	26.7	30.5	27.6	31.4		
PT27315	0279-00299	143T-365T	24	27.3	31.1	28.3	32.1	29.1	32.9	30.1	33.9	30.8	34.7	31.8	35.6	32.7	36.6
PT28407	0279-00300	143T-365T	NA	22.0	26.5	23.0	27.5	23.8	28.3	24.8	29.3	25.5	30.0	26.5	31.0	27.5	32.0

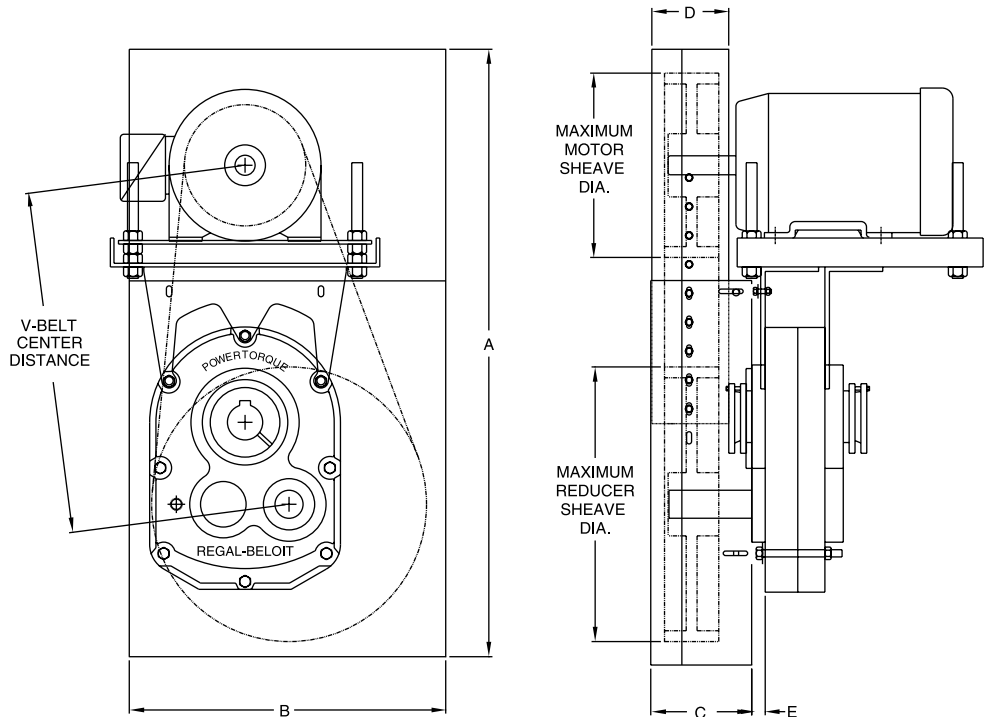
SHAFT MOUNT	PART NUMBER	WEIGHT (LBS.)	A	B	C	D	E		F	G	H	J	K
							MIN	MAX					
PT21107	0279-00290	49	14.63	11.00	13.50	9.25	17.1	21.3	1.59	12.00	3.38	5/8x7	3.88
PT22115	0279-00291	50	14.63	11.00	13.50	9.25	18.6	22.8	1.59	12.00	3.38	5/8x7	4.18
PT23203	0279-00292	51	14.63	11.00	13.50	9.25	19.8	24.0	1.59	12.00	4.25	5/8x8	4.88
PT23203	0279-00293	93	18.63	17.00	17.50	14.25	20.0	24.2	1.78	15.50	4.25	3/4x8	4.88
PT24207	0279-00294	113	18.63	17.00	17.50	14.25	21.3	26.1	1.78	15.50	4.63	3/4x8	6.13
PT24207	0279-00295	129	20.50	18.50	19.25	16.50	21.3	26.1	1.84	17.50	4.63	3/4x8	6.13
PT25215	0279-00296	113	18.63	17.00	17.50	14.25	21.3	26.1	1.78	15.50	4.13	3/4x8	6.65
PT25215	0279-00297	140	20.50	18.50	19.25	16.50	21.3	26.1	1.84	17.50	4.13	3/4x8	6.65
PT26307	0279-00298	143	20.50	18.50	19.25	16.50	22.7	27.4	1.84	17.50	4.50	3/4x8	7.31
PT27315	0279-00299	172	22.50	19.00	21.25	16.50	23.5	27.7	2.50	19.25	4.75	1x9	7.81
PT28407	0279-00300	172	22.50	19.00	21.25	16.50	24.3	28.8	2.50	19.25	4.75	1x9	7.81

# Hub City™ PowerTorque® Shaft Mount Reducers

## Accessories

### Features

- All-Steel construction
- Adjustable to fit a wide range of sheaves and motor frames
- Designed for easy installation, no drilling required



### Vertical Belt Guards

SHAFT MOUNT MODEL	BELT GUARD PART NUMBER	NEMA MOTOR FRAME	WEIGHT (LBS.)	V-BELT CENTER DISTANCE		MAXIMUM SHEAVE DIA.		A		B	C	D	E
				MIN	MAX	MOTOR	REDUCER	MIN.	MAX.				
PT21107	0279-00371	56C-215T	51	17.6	22.7	6.4	18.0	31.75	39.75	22.00	5.40	4.31	0.56
PT22115	0279-00375	56C-215T	54	18.7	23.9	8.6	19.0	32.75	40.75	22.00	5.40	4.31	0.56
PT23203	0279-00379	56C-286T	57	20.2	27.2	8.6	19.0	35.75	43.75	22.00	5.40	4.31	0.56
PT24207	0279-00383	143T-326T	71	21.2	29.8	12.0	19.0	40.25	48.25	23.50	6.90	5.31	0.63
PT25215	0279-00387	143T-326T	75	22.7	31.2	12.0	19.0	41.75	49.75	23.50	6.90	5.31	0.63
PT26307	0279-00391	143T-326T	104	25.9	34.2	14.0	25.0	48.25	56.25	29.25	8.70	7.44	2.00
PT27315	0279-00395	143T-365T	126	30.6	39.9	14.0	30.0	55.25	63.25	34.25	8.70	7.44	1.25
PT28407	0279-00399	143T-365T	126	31.9	41.2	14.0	30.0	55.25	63.25	34.25	8.70	7.44	1.25

### Vertical Long Belt Guards

SHAFT MOUNT MODEL	BELT GUARD PART NUMBER	NEMA MOTOR FRAME	WEIGHT (LBS.)	V-BELT CENTER DISTANCE		MAXIMUM SHEAVE DIA.		A		B	C	D	E
				MIN	MAX	MOTOR	REDUCER	MIN.	MAX.				
PT21107	0279-00372	56C-215T	55	20.6	25.7	6.4	18.0	34.50	42.50	22.00	5.40	4.31	0.56
PT22115	0279-00376	56C-215T	57	21.7	26.9	8.6	19.0	35.50	43.50	22.00	5.40	4.31	0.56
PT23203	0279-00380	56C-286T	60	23.2	30.2	8.6	19.0	38.75	46.75	22.00	5.40	4.31	0.56
PT24207	0279-00384	143T-326T	82	25.7	34.3	12.0	19.0	44.50	52.50	23.50	6.90	5.31	0.63
PT25215	0279-00388	143T-326T	80	29.5	37.9	12.0	19.0	48.00	56.00	23.50	6.90	5.31	0.63
PT26307	0279-00392	143T-326T	123	39.9	48.2	14.0	25.0	62.25	70.25	29.25	8.70	7.44	2.00
PT27315	0279-00396	143T-365T	150	45.6	54.9	14.0	30.0	71.00	79.00	34.25	8.70	7.44	1.25
PT28407	0279-00400	143T-364T	150	44.9	54.3	14.0	30.0	71.00	79.00	34.25	8.70	7.44	1.25

DOWNLOAD AVAILABLE CAD MODELS AT: [WWW.HUBCITYINC.COM](http://WWW.HUBCITYINC.COM)

Certified prints are available upon request

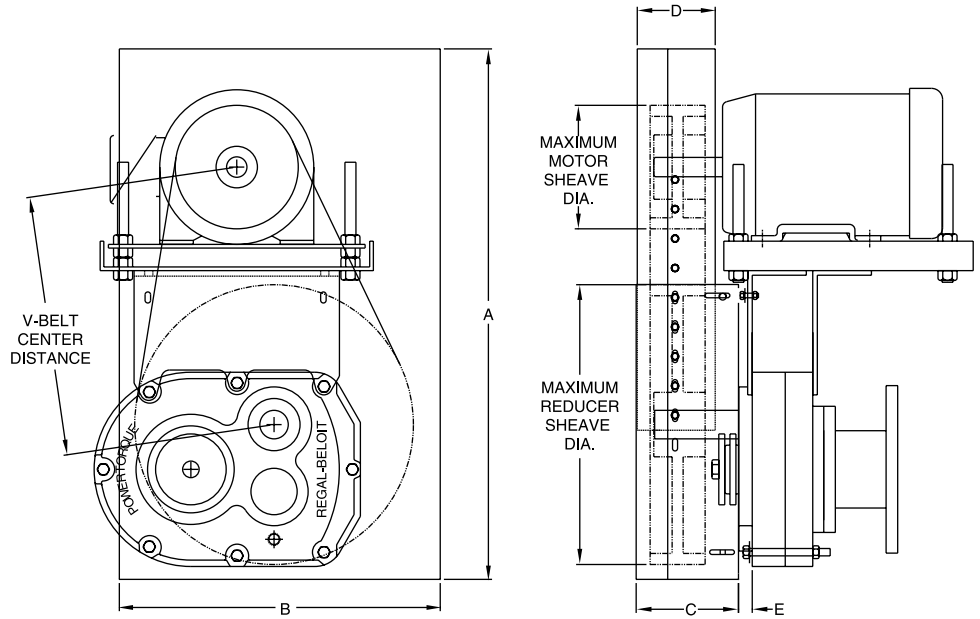
CALL: (605) 225-0360 • FAX: (605) 225-0567

# Hub City™ PowerTorque® Shaft Mount Reducers

## Accessories

### Features

- All-Steel construction
- Adjustable to fit a wide range of sheaves and motor frames
- Designed for easy installation, no drilling required



### Horizontal Belt Guards

SHAFT MOUNT MODEL	BELT GUARD PART NUMBER	NEMA MOTOR FRAME	WEIGHT (LBS.)	V-BELT CENTER DISTANCE		MAXIMUM SHEAVE DIA.		A		B	C	D	E
				MIN	MAX	MOTOR	REDUCER	MIN.	MAX.				
PT21107	0279-00373	56C-215T	48	13.5	19.0	6.4	18.0	27.75	35.75	22.00	5.40	4.31	0.56
PT22115	0279-00377	56C-215T	51	14.9	20.0	8.6	19.0	28.75	36.75	22.00	5.40	4.31	0.56
PT23203	0279-00381	56C-286T	53	15.8	22.9	8.6	19.0	31.50	39.50	22.00	5.40	4.31	0.56
PT24207	0279-00385	143T-326T	67	16.9	25.4	12.0	19.0	36.25	44.25	23.50	6.90	5.31	0.63
PT25215	0279-00389	143T-326T	64	16.6	25.2	12.0	19.0	35.75	43.75	23.50	6.90	5.31	0.63
PT26307	0279-00393	143T-326T	92	17.0	25.5	14.0	25.0	39.50	47.50	29.25	8.70	7.44	2.00
PT27315	0279-00397	143T-365T	105	22.1	31.0	14.0	30.0	41.75	49.75	34.25	8.70	7.44	1.25
PT28407	0279-00401	143T-365T	105	16.1	25.4	14.0	30.0	41.75	49.75	34.25	8.70	7.44	1.25

### Horizontal Long Belt Guards

SHAFT MOUNT MODEL	BELT GUARD PART NUMBER	NEMA MOTOR FRAME	WEIGHT (LBS.)	V-BELT CENTER DISTANCE		MAXIMUM SHEAVE DIA.		A		B	C	D	E
				MIN	MAX	MOTOR	REDUCER	MIN.	MAX.				
PT21107	0279-00374	56C-215T	53	19.5	24.7	6.4	18.0	33.75	41.75	22.00	5.40	4.31	0.56
PT22115	0279-00378	56C-215T	56	20.9	26.0	8.6	19.0	34.75	42.75	22.00	5.40	4.31	0.56
PT23203	0279-00382	56C-286T	59	21.8	28.9	8.6	19.0	37.25	45.25	22.00	5.40	4.31	0.56
PT24207	0279-00386	143T-326T	73	23.2	31.4	12.0	19.0	41.50	49.50	23.50	6.90	5.31	0.63
PT25215	0279-00390	143T-326T	73	22.9	31.2	12.0	19.0	42.00	50.00	23.50	6.90	5.31	0.63
PT26307	0279-00394	143T-326T	100	23.2	31.4	14.0	25.0	45.50	53.50	29.25	8.70	7.44	2.00
PT27315	0279-00398	143T-365T	115	27.3	36.6	14.0	30.0	48.00	56.00	34.25	8.70	7.44	1.25
PT28407	0279-00402	143T-365T	115	22.0	31.4	14.0	30.0	48.00	56.00	34.25	8.70	7.44	1.25

### Cooling Fans

Available upon request. Consult factory for details.

DOWNLOAD AVAILABLE CAD MODELS AT: [WWW.HUBCITYINC.COM](http://WWW.HUBCITYINC.COM)

Certified prints are available upon request

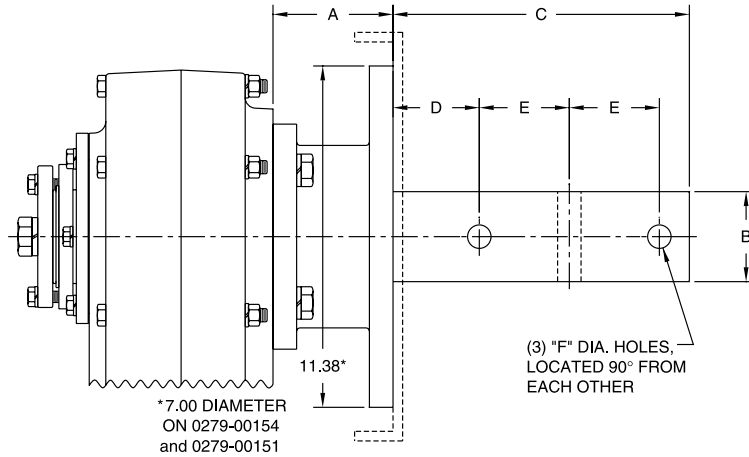
EMAIL: [hubsales@regalbeloit.com](mailto:hubsales@regalbeloit.com) • [www.regalbeloit.com](http://www.regalbeloit.com)



# Hub City™ PowerTorque® Shaft Mount Reducers

## Accessories

### Screw Conveyor Drive



### Adapter Flanges

#### Features

- Conform to CEMA standards.
- Bolt-on design allows easy mounting.
- Open center for contaminate dropout.



### Drive Shafts

#### Features

- Conform to CEMA dimensional standards.
- Machined from high strength alloy steel.
- Easy installation into standard hollow bore.



SHAFT MOUNT MODEL	ADAPTOR FLANGES			DRIVE SHAFTS							
	PART NUMBER	WEIGHT (LBS.)	A	PART NUMBER	WEIGHT (LBS.)	B	C	D	E	F	SCREW SIZE
PT21107	0279-00151	13	3.22	0279-00211	14	1.500	9.00	2.12	3.00	17/32	6
				0279-00211	14	1.500	9.00	2.12	3.00	17/32	9
	0279-00152	27	3.22	0279-00212	17	2.000	9.00	2.12	3.00	21/32	9, 12
				0279-00213	22	2.437	9.69	2.75	3.00	21/32	12, 14
				0279-00214	29	3.000	9.88	2.88	3.00	25/32	12 - 20
PT22115	0279-00154	15	3.56	0279-00215	15	1.500	9.00	2.12	3.00	17/32	6
				0279-00215	15	1.500	9.00	2.12	3.00	17/32	9
	0279-00153	25	3.56	0279-00216	18	2.000	9.00	2.12	3.00	21/32	9, 12
				0279-00217	23	2.4375	9.69	2.75	3.00	21/32	12, 14
				0279-00218	30	3.000	9.88	2.88	3.00	25/32	12 - 20
PT23203	0279-00155	29	3.69	0279-00219	20	1.500	9.00	2.12	3.00	17/32	9
				0279-00220	23	2.000	9.00	2.12	3.00	21/32	9, 12
				0279-00221	28	2.4375	9.69	2.75	3.00	21/32	12, 14
				0279-00222	35	3.000	9.88	2.88	3.00	25/32	12 - 20
PT24207	0279-00156	33	4.00	0279-00223	24	1.500	9.00	2.12	3.00	17/32	9
				0279-00224	27	2.000	9.00	2.12	3.00	21/32	9, 12
				0279-00225	32	2.4375	9.69	2.75	3.00	21/32	12, 14
				0279-00226	39	3.000	9.88	2.88	3.00	25/32	12 - 20
				0279-00227	53	3.4375	13.13	3.88	4.00	29/32	18 - 24
PT25215	0279-00157	43	4.25	0279-00228	37	2.000	9.00	2.12	3.00	21/32	9, 12
				0279-00229	42	2.4375	9.69	2.75	3.00	21/32	12, 14
				0279-00230	49	3.000	9.88	2.88	3.00	25/32	12 - 20
				0279-00231	63	3.4375	13.13	3.88	4.00	29/32	18 - 24
				0279-00232	57	2.4375	9.69	2.75	3.00	21/32	12, 14
PT26307	0279-00158	56	5.50	0279-00233	64	3.000	9.88	2.88	3.00	25/32	12 - 20
				0279-00234	78	3.4375	13.13	3.88	4.00	29/32	18 - 24
				0279-00235	73	2.4375	9.69	2.75	3.00	21/32	12, 14
				0279-00236	80	3.000	9.88	2.88	3.00	25/32	12 - 20
PT27315	0279-00159	72	6.50	0279-00237	94	3.4375	13.13	3.88	4.00	29/32	18 - 24

### Auxiliary Seal Kits

Available upon request. Consult factory for details.

DOWNLOAD AVAILABLE CAD MODELS AT: [WWW.HUBCITYINC.COM](http://WWW.HUBCITYINC.COM)

Certified prints are available upon request