

ROCK SOLID DEPENDABILITY

NOW
AVAILABLE IN
2
LARGER SIZES



PowerTorque SHAFT MOUNT REDUCERS

Whether your application is moving rock, gravel or grain, let **HUB CITY, INC.** deliver loads of rock solid dependability and **valuable performance**. PowerTorque shaft mount reducers are manufactured to the industry's **highest quality** standards, available **off-the-shelf** and delivered to you with a **competitive price** tag.

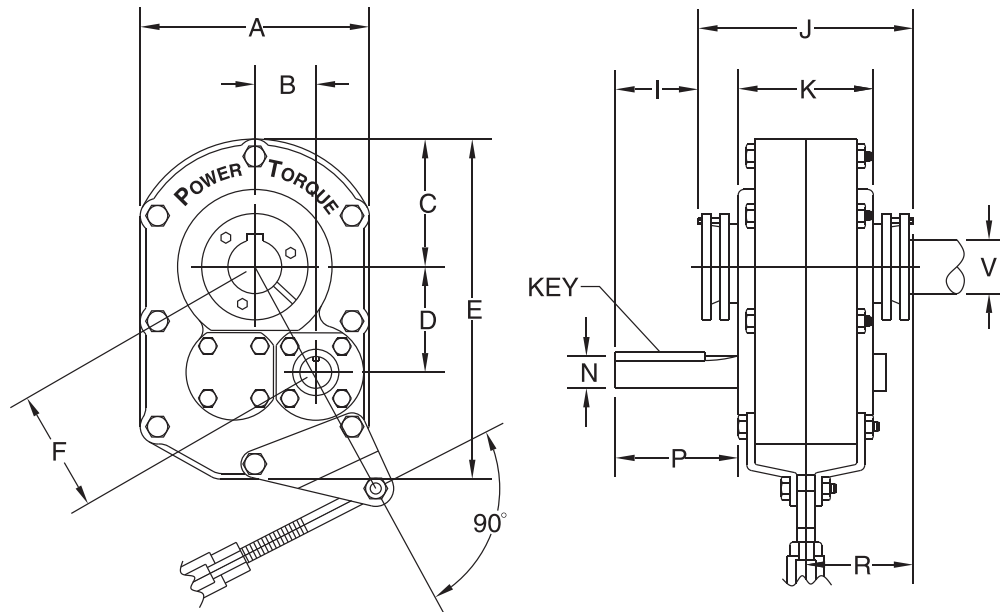
Universal Design - 1/4 THRU ~~125~~²⁰⁰ H.P. - Immediate Availability
High Strength Ductile Iron Housing - Precision Ground AGMA Class 11 Gearing



A Regal Beloit Company

PowerTorque SHAFT MOUNT REDUCERS

Mechanically and Dimensionally Interchangeable with most major brands!



Model	Power Rating*	A	B	C	D	E	F	I	J	K	R	V Max Dia	N Dia	Input Shaft		Approximate Weight (LB)
														P	Key	
PT1107	7.5 HP	7.13	1.91	3.75	3.18	9.94	3.71	2.03	7.06	4.06	3.55	1-7/16	0.75	3.30	3/16x3/16x1-7/8	45
PT2115	10 HP	8.38	2.14	4.09	3.75	11.41	4.32	2.22	7.32	4.50	3.68	1 15/16	1.13	3.59	1/4x1/4x2-1/2	58
PT3203	25 HP	9.25	2.33	4.84	4.17	12.88	4.78	2.34	9.22	5.63	3.72	2 3/16	1.25	4.34	1/4x1/4x2-7/8	98
PT4207	40 HP	10.38	2.76	5.50	4.79	15.13	5.53	3.44	9.98	6.13	3.91	2 7/16	1.44	5.57	3/8x3/8x4-1/16	139
PT5215	60 HP	13.13	3.04	6.56	5.67	18.31	6.43	3.44	10.52	6.31	5.05	2 15/16	1.94	5.74	1/2x1/2x4-1/2	207
PT6307	80 HP	15.43	4.09	7.56	6.73	21.31	7.88	3.73	11.53	6.88	5.73	3 7/16	2.19	6.08	1/2x1/2x4-1/2	285
PT7315	100 HP	18.75	5.11	9.38	8.30	25.94	9.74	3.75	12.85	7.75	6.38	3 15/16	2.44	6.35	5/8x5/8x4-3/4	462
PT8407	125 HP	20.25	6.03	10.13	9.50	28.25	11.25	4.31	14.03	8.37	7.04	4 7/16	2.44	7.11	5/8x5/8x5-3/8	633
PT9415	150 HP	22.63	6.59	11.31	10.81	31.69	12.66	3.63	14.12	8.12	7.04	4 15/16	2.44	9.65	5/8x5/8x7-3/4	760
PT10507	200 HP	25.50	6.59	12.75	12.50	35.08	14.13	6.53	15.30	9.34	7.66	5 7/16	2.69	9.50	5/8x5/8x7-7/8	1020

*Nominal Mechanical Rating, 1.0 Service Factor. For exact ratings refer to Product Catalog. Torque-arm assemblies included with all units. Ratios available are 9:1 (models PT1107 thru PT7315), 15:1 (all models except PT10507), and 25:1 (all models).

Accessories Available:



Tapered Bushing Kits



Backstop Assemblies



Motor Mounts



Screw Conveyor Adapter Flanges



Screw Conveyor Drive Shafts



Belt Guards



A Regal Beloit Company



2914 Industrial Avenue • P.O. Box 1089 • Aberdeen, SD 57402

Phone: (605) 225-0360 • Fax: (605) 225-0567

Email: sales@hubcityinc.com • www.hubcityinc.com



"At the Heart of What Drives Your World"

HUB CITY, INC. - Aberdeen, SD

Printed in the U.S.A.

5913H/2.5K/5-07/WP/SK