

Introducing...

Universal Power Cube™!



The Universal Power Cube offers a two-in-one footprint. The bottom mounting surface contains both the Hub City bolt pattern, as well as the bolt pattern known in the industry as "generic", which allows this unit to be mounted in place of most major brand worm gear drives.

- Addition of 240 series (2-3/8" CD)
- Up to 30% increase in mechanical power ratings
- Increased thermal capacity
- Increased efficiency
- Meets or exceeds new industry ratings
- Offers Hub City and "generic" bolt mounting patterns on bottom surface
- Eliminates need for generic base plates
- Smooth design for enhanced washdown characteristics
- Viton seals
- Three lube options: 600W, synthetic, polyglycol, NO thermal limitations when specified with premium polyglycol lubricant



Universal Mounting Pattern

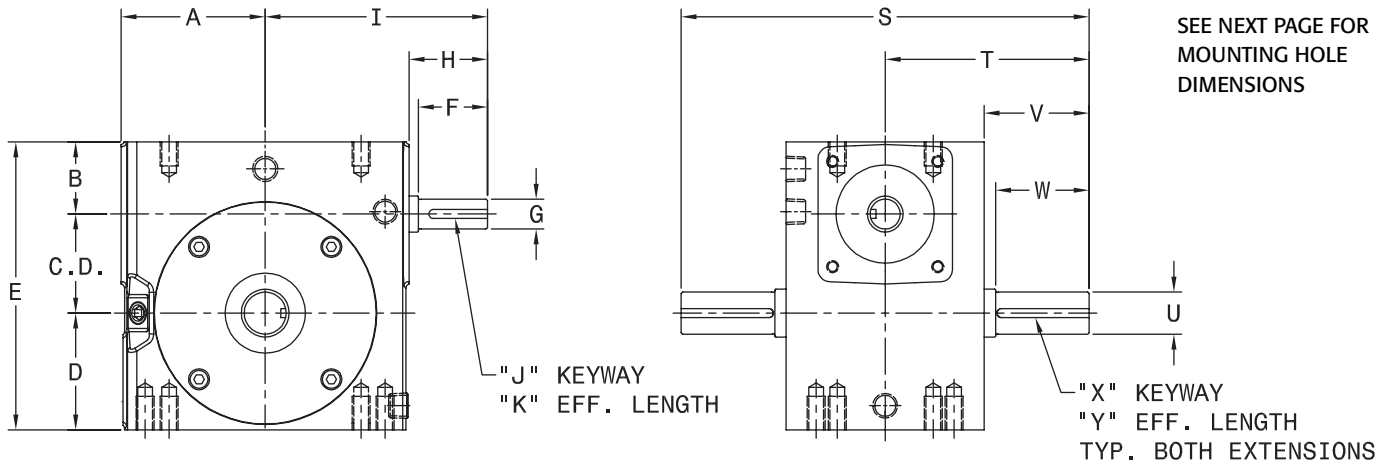
POWER RATINGS @1750 INPUT RPM (1.0 SERVICE FACTOR)*

Series Ratio	130			180			210			W240			260			320			380		
	IpHp	OpTq	Efcy	IpHp	OpTq	Efcy	IpHp	OpTq	Efcy	IpHp	OpTq	Efcy	IpHp	OpTq	Efcy	IpHp	OpTq	Efcy	IpHp	OpTq	Efcy
5/1	1.40	234	92.4	2.85	478	93.2	3.77	635	93.6	5.01	852	94.4	6.91	1174	94.3	13.7	2340	95.2	19.2	3303	95.6
7.5/1	-	-	-	2.23	548	91.0	3.13	773	91.6	4.36	1098	93.3	-	-	-	-	-	-	-	-	-
10/1	0.91	286	87.5	1.85	591	88.8	2.57	828	89.4	3.54	1178	92.3	5.04	1668	91.9	7.53	2989	92.0	12.1	4039	93.0
15/1	0.71	318	83.2	1.36	623	84.8	1.93	886	85.2	2.64	1275	89.5	3.67	1731	87.4	6.01	2893	89.1	8.53	4151	90.1
20/1	0.55	319	80.4	1.11	656	82.2	1.50	895	82.9	2.09	1305	86.8	2.97	1846	86.2	4.82	2998	86.4	7.15	4545	88.2
25/1	0.46	314	76.0	0.96	676	78.2	1.30	941	80.3	1.72	1311	84.6	2.43	1853	84.8	4.07	3074	83.9	-	-	-
30/1	0.42	327	71.6	0.80	644	74.1	1.13	912	74.5	1.50	1322	81.6	2.12	1784	77.9	3.39	2960	80.7	4.80	4270	82.4
40/1	0.33	318	67.5	0.65	655	70.1	0.87	892	71.0	1.18	1306	77.1	1.68	1844	76.1	2.76	3039	76.3	4.06	4631	79.2
50/1	0.27	303	61.5	0.56	650	64.4	0.75	904	67.2	0.95	1259	73.6	1.34	1787	73.9	2.37	3095	72.4	3.24	4428	75.9
60/1	0.23	284	56.5	0.46	595	59.6	0.66	865	61.0	0.76	1175	71.8	1.12	1554	64.2	2.10	3122	68.8	2.66	4191	72.8

* Ratings shown are optimum mechanical ratings and efficiencies when specified with Polyglycol lubricant. Thermal limits and reduced efficiencies apply when using other approved lubricants.



SHAFT INPUT - SHAFT OUTPUT



Series	C.D.	A	B	D	E	F	G	H	I	J	K	S	T	U	V	W	X	Y
130	1.334	2.28	1.186	1.562	4.082	1.35	.500/.499	1.54	3.82	1/8 X 1/16	1.16	6.50	3.25	.625/.624	1.69	N/A	3/16 X 3/32	1.38
180	1.751	2.65	1.374	1.875	5.000	1.35	.500/.499	1.54	4.19	1/8 X 1/16	1.16	7.00	3.50	.750/.749	1.78	1.54	3/16 X 3/32	1.41
210	2.064	3.00	1.500	2.437	6.000	1.44	.625/.624	1.63	4.63	3/16 X 3/32	1.13	8.50	4.25	.875/.874	2.19	1.95	3/16 X 3/32	1.83
W240	2.376	3.38	2.062	2.500	6.938	1.43	.625/.624	1.63	5.00	3/16 X 3/32	1.21	9.00	4.50	1.125/1.124	2.31	2.06	1/4 X 1/8	1.74
260	2.626	3.66	1.874	2.938	7.438	1.73	.625/.624	1.97	5.63	3/16 X 3/32	1.49	9.00	4.50	1.250/1.249	2.25	N/A	1/4 X 1/8	1.85
320	3.251	4.40	2.124	3.250	8.625	2.23	.875/.874	2.48	6.88	3/16 X 3/32	1.91	10.88	5.44	1.375/1.374	2.84	N/A	5/16 X 5/32	2.31
380	3.751	4.90	2.374	3.937	10.062	2.20	1.000/.999	2.48	7.38	1/4 X 1/8	1.91	13.38	6.69	1.500/1.499	3.88	N/A	3/8 x 3/16	3.16

Dimensions shown are for reference only

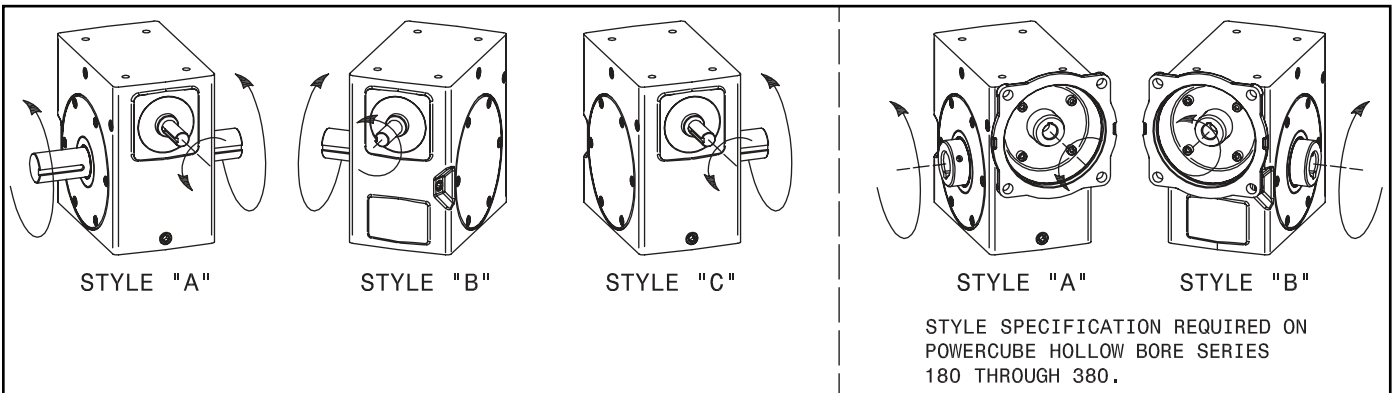
UNIVERSAL MOUNTING SPACER Δ

Series	Spacer Part No.	D (With Spacer)
130	0223-07625	1-23/32
180	0223-07626	2-1/16
210	Consult Factory \blacklozenge	-
W240	Not Required	-
260	Not Required	-
320	0223-07627	3-1/2
380	Consult Factory \blacklozenge	-

\blacklozenge Special Housing Required

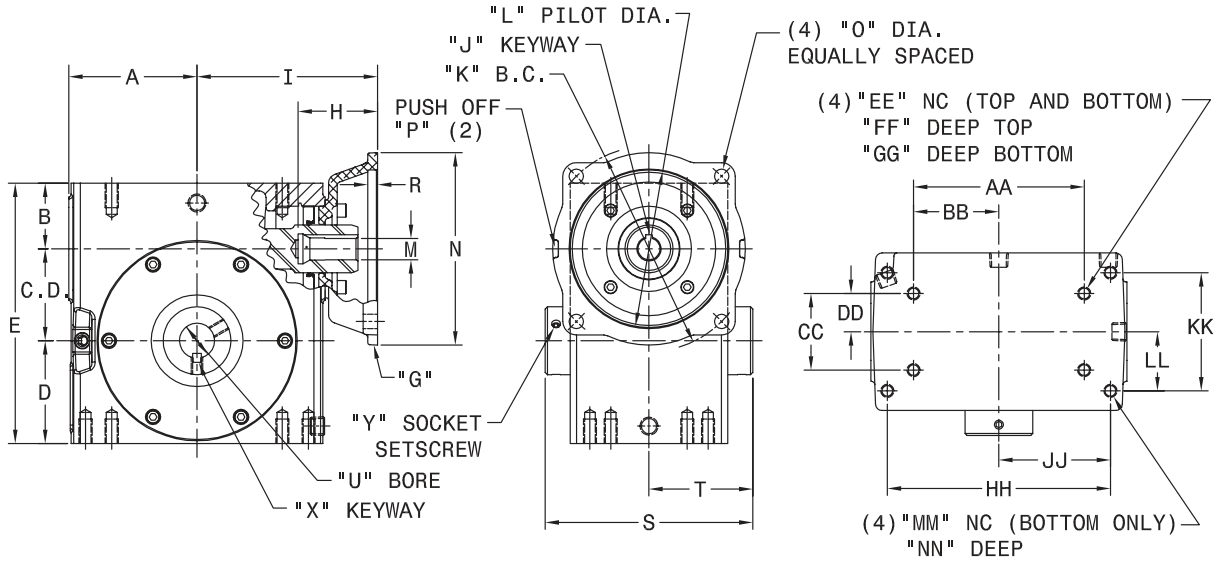
Δ Universal mounting spacers are designed to match the "D" dimension of competitive units.

STANDARD STYLES AVAILABLE



- CONSULT FACTORY FOR VERTICAL SHAFT LUBRICATION RECOMMENDATIONS
- INPUT SHAFT CAN BE ROTATED IN EITHER DIRECTION
- REFER TO MODEL AVAILABILITY TABLE ON BACK PAGE FOR SPECIFIC MODEL NUMBER CONFIGURATION AND IDENTIFICATION

NEMA C-FLANGE INPUT - HOLLOW BORE OUTPUT



Series	C.D.	A	B	D	E	G	H	I	J	K	L	M	N	O	P	R	S	T
180	1.751	2.65	1.374	1.875	5.000	56C 2.27 143TC 2.38	2.27	4.00	3/16 X 3/32	5.875	4.501/4.503	0.625 0.875	5.50	13/32	SLOTS	0.19	4.81	2.41
210	2.064	3.00	1.500	2.437	6.000	56C 2.27 143TC 2.38	2.27	4.50	3/16 X 3/32	5.875	4.501/4.503	0.625 0.875	5.50	13/32	SLOTS	0.19	5.56	2.78
W240	2.376	3.38	2.062	2.500	6.938	56C 2.27 143TC 2.38	2.27	4.88	3/16 X 3/32	5.875	4.501/4.503	0.625 0.875	5.50	13/32	SLOTS	0.19	5.93	2.97
						182TC 3.19	5.72	1/4 X 1/8	7.250	8.501/8.504	1.125	9.00	17/32	HOLES	0.44			
260	2.626	3.66	1.874	2.938	7.438	56C 2.27 143TC 2.38	2.27	5.16	3/16 X 3/32	5.875	4.501/4.503	0.625 0.875	5.50	13/32	SLOTS	0.19	5.93	2.97
						182TC 3.19	6.00	1/4 X 1/8	7.250	8.501/8.504	1.125	9.00	17/32	HOLES	0.44			
320	3.251	4.40	2.124	3.250	8.625	56C 2.27 143TC 2.38	2.27	6.00	3/16 X 3/32	5.875	4.501/4.503	0.625 0.875	5.50	13/32	SLOTS	0.19	7.56	3.78
						182TC 3.19	6.38	1/4 X 1/8	7.250	8.501/8.504	1.125	9.00	17/32	HOLES	0.44			
380	3.751	4.90	2.374	3.937	10.062	56C 2.27 143TC 2.38	2.27	6.50	3/16 X 3/32	5.875	4.501/4.503	0.625 0.875	5.50	13/32	SLOTS	0.19	7.56	3.78
						182TC 3.19	6.88	1/4 X 1/8	7.250	8.501/8.504	1.125	9.00	17/32	HOLES	0.44			

MOUNTING HOLE LOCATIONS (ALL UNITS)

Series	AA	BB	CC	DD	EE	FF	GG	HH	JJ	KK	LL	MM	NN
130	2.250	1.125	1.625	0.812	1/4 NC	0.50	0.50	3.250	1.625	2.000	1.000	5/16 NC	.75
180	3.125	1.562	1.625	0.812	1/4 NC	0.50	0.50	4.188	2.094	2.750	1.375	5/16 NC	.75
210	4.000	2.000	2.000	1.000	3/8 NC	0.50	0.75	5.000	2.500	2.875	1.438	3/8 NC	.70
W240	5.000	2.500	2.875	1.438	3/8 NC	0.70	0.70	N/A	N/A	N/A	N/A	N/A	N/A
260	4.875	2.437	2.688	1.344	3/8 NC	0.70	0.70	6.375	3.188	3.375	1.688	3/8 NC	.70
320	6.250	3.125	2.750	1.375	1/2 NC	0.75	0.90	7.500	3.750	4.000	2.000	7/16 NC	.88
380	6.875	3.438	3.000	1.500	1/2 NC	0.94	1.00	8.500	4.250	4.750	2.375	1/2 NC	1.00

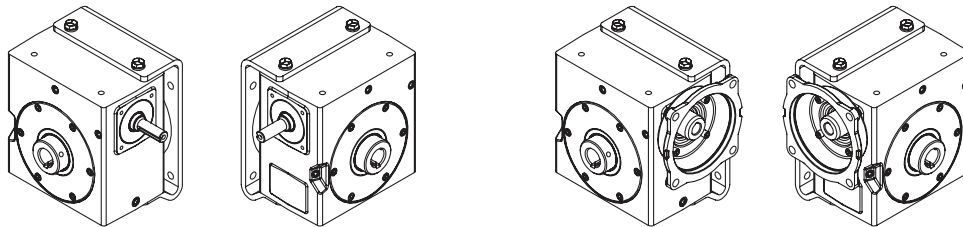
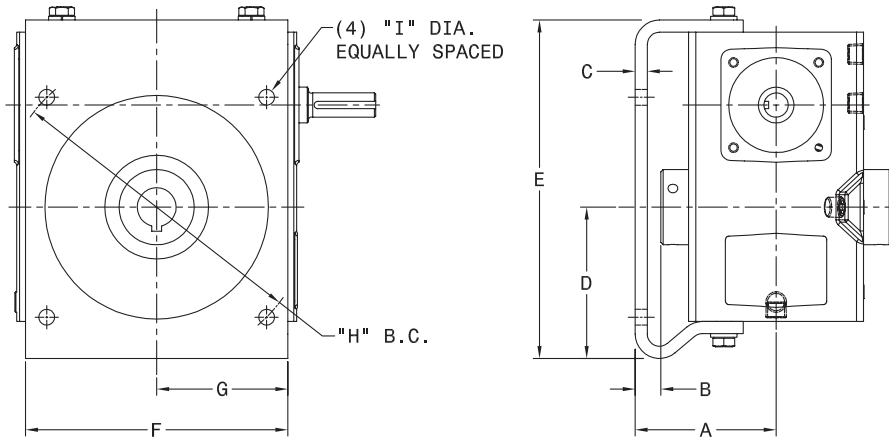
STOCK BORES

Series	U	X	Key Furnished	Y
180	15/16	1/4 X 1/8	1/4 Sq.	10-24 NC X 1/4 LG
	1 (Max.)	1/4 X 1/8	1/4 Sq.	10-24 NC X 1/4 LG
210	15/16	1/4 X 1/8	1/4 Sq.	5/16 NC X 5/16 LG
	1	1/4 X 1/8	1/4 Sq.	5/16 NC X 5/16 LG
	1-3/16	1/4 X 1/8	1/4 Sq.	5/16 NC X 5/16 LG
	1-1/4 (Max.)	1/4 X 1/8	1/4 Sq.	5/16 NC X 5/16 LG
W240 & 260	1	1/4 X 1/8	1/4 Sq.	5/16 NC X 5/16 LG
	1-3/16	1/4 X 1/8	1/4 Sq.	5/16 NC X 5/16 LG
	1-1/4	1/4 X 1/8	1/4 Sq.	5/16 NC X 5/16 LG
	1-7/16 (Max.)	3/8 X 1/8	3/8 X 5/16	1/4 NC X 1/4 LG
320 & 380	1-7/16	3/8 X 3/16	3/8 Sq.	3/8 NC X 5/8 LG
	1-15/16	1/2 X 1/4	1/2 Sq.	3/8 NC X 3/8 LG
	2	1/2 X 1/4	1/2 Sq.	3/8 NC X 3/8 LG
	2-3/16 (Max.)	1/2 X 1/8	1/2 Sq.	3/8 NC X 3/8 LG

• REFER TO MODEL AVAILABILITY TABLE ON BACK PAGE FOR SPECIFIC MODEL NUMBER CONFIGURATION AND IDENTIFICATION

Bore tolerance nominal + .002

SIDE MOUNT KITS



NOTE: Side mount kits are intended to be attached on the side opposite of the pipe plugs and cover of a hollow bore unit, models "XX2" or "XX5" as shown. Customer is required to specify the style of the gearbox when ordering to accomplish this. Models "XX3" and "XX6" include bracket kit as shown (also see model availability chart below).

Series	Side Mount Kit No.	Shipping Weight Lbs.	A	B	C	D	E	F	G	H	I
180	0229-02950	5.2	3.31	.91	.25	3.13	6.50	4.88	2.44	5.875	11/32
210	0229-02951	7.5	3.63	.85	.31	3.75	7.63	5.75	2.88	7.000	13/32
W240	0229-02952	7.1	3.72	.75	.25	3.61	8.30	6.00	3.00	7.500	13/32
260	0229-02953	8.1	3.63	.66	.31	3.89	8.70	6.75	3.38	8.000	13/32
	0229-02954	9.4	4.63	1.66	.31	4.07	8.88	6.75	3.38	8.000	13/32
320	0229-02955	10.0	4.00	.22	.31	4.45	10.14	7.50	3.38	9.000	13/32
380	0229-02956	12.1	4.50	.72	.31	5.09	11.53	8.25	4.13	10.000	9/16

MODEL AVAILABILITY

Series										
Input Desc.	Shaft Input	Shaft Input	Shaft Input	C-Face Input	C-Face Input	C-Face Input	Shaft Input	C-Face Input	Shaft Input	C-Face Input
Output Desc.	Shaft Output	Hollow Bore	Hollow Bore w/Side Mt Flg	Shaft Output	Hollow Bore	Hollow Bore w/Side Mt Flg	Drop Bearing Flange	Drop Bearing Flange	Vertical Mt Flange	Vertical Mt Flange
130	131	-	-	134	-	-	-	-	-	-
180	181	182	183*	184	185	186*	-	-	182▼	185▼
210	211	212	213*	214	215	216*	-	-	212▼	215▼
W240	241	242	243*	244	245	246*	-	-	242▼	245▼
260	261	262	263*	264	265	266*	-	-	262▼	265▼
320	321	322	323*	324	325	326*	327	328	322▼	325▼
380	381	382	383*	384	385	386*	387	388	382▼	385▼

* Includes bracket kit above
 ▼ Flange and shaft kit available, consult factory