

HERA™

90% EFFICIENCY & 2x MORE TORQUE
in a no-hassle worm gear drive replacement



HERA™ High-Efficiency Right Ange

It's time to replace your tired, out-dated, inefficient gearing technology with the **Hub City HERA™**

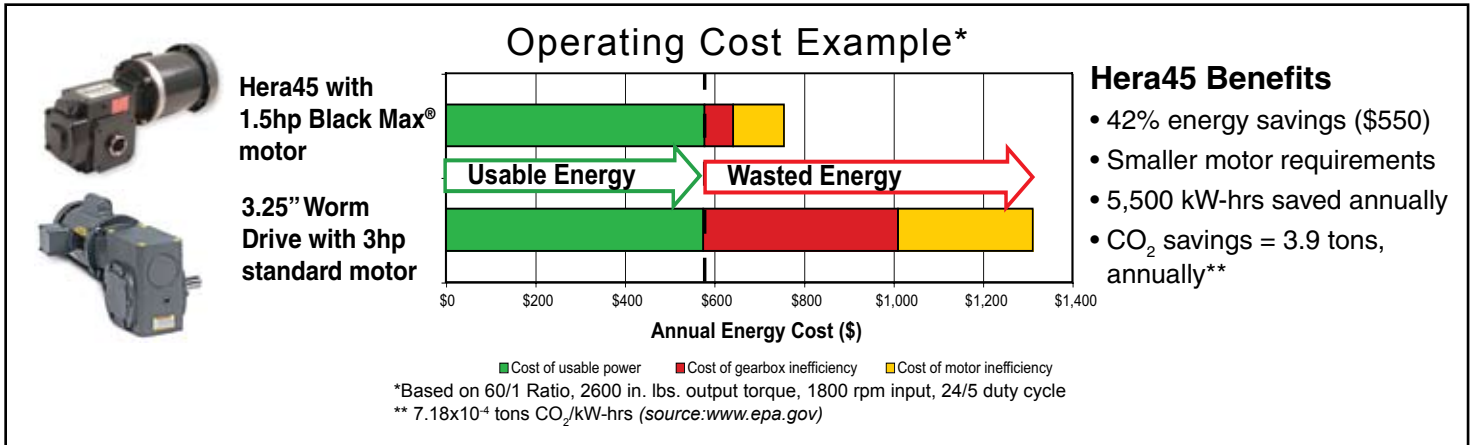
Quickly improve operating efficiency with this easy bolt-in, powerful **GREEN** solution!

90% Efficiency (all ratios) - Up to 40% Energy Savings - 2x More Torque Capacity
Smaller Motor Requirements - Longer Gearbox Life - Rapid Payback - Less Inventory

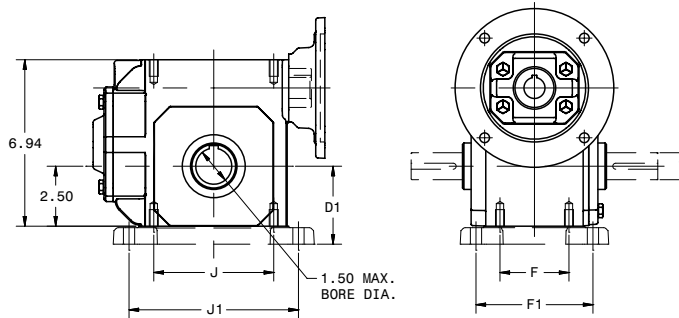
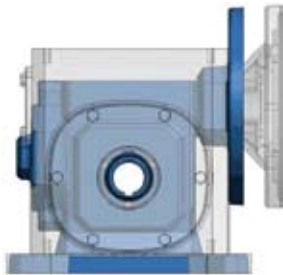


HERA™ High-Efficiency Right Angle

See how HERA can save you some GREEN!



HERA45 Dimensions



The Hub City Hera45 Gear Drive has the torque density of a 3.25" C.D. worm gear drive in the design envelope of a 2.38" worm gear drive. With mounting base kits, Hera45 can drop-in and replace up to 4 sizes of worm speed reducers!

Description	D1	T	F	J	F1	J1	Replaces Worm Gear CD
Hera4524	2.50	1.125	2.88	5.00	-	-	2.38"
Hera4524T	3.25	1.125	-	-	4.88	7.06	
Hera4526B	2.94	1.250/1.125	3.38	6.38	-	-	2.63"
Hera4526T	3.69	1.250/1.125	-	-	5.25	8.00	
Hera4530B	3.25	1.250	4.00	7.00	-	-	3.00"
Hera4530T	4.00	1.250	-	-	5.88	8.44	
Hera4532B	3.50	1.500/1.375	4.00	5.50	-	-	3.25"
Hera4532T	4.38	1.500/1.375	-	-	6.13	9.50	

Model Availability, Torque Ratings & Available Ratios

Model	Available	Torque Rating	Nominal Ratios
Hera35	WINTER 2010	1400 in. lbs.	7/1, 10/1, 15/1, 20/1, 30/1, 40/1, 50/1, 60/1
Hera45	AVAILABLE NOW	2600 in. lbs.	7/1, 10/1, 15/1, 20/1, 30/1, 40/1, 50/1, 60/1
Hera55	SUMMER 2010	4500 in. lbs.	7/1, 10/1, 15/1, 20/1, 30/1, 40/1, 50/1, 60/1
Hera75	FALL 2010	8500 in. lbs.	7/1, 10/1, 15/1, 20/1, 30/1, 40/1, 50/1, 60/1



Phone: 605-225-0360 Fax: 605-225-0567
 Email: hubsales@regalbeloit.com
 www.hubcityinc.com

