

Clean and Green!

Stainless Steel Helical Drive Solutions from



Energy efficiency is paramount when selecting gear drives and motors for power transmission applications in today's economy.

Having a sanitary, easy-to-clean product design is critical in applications involving food and meat processing. You cannot afford to risk pathogen contamination in your consumer products.

Hub City's stainless steel helical drives bring energy efficiency and a sanitary drive package together by offering the following features:

- 93 to 97% efficiency in ratios up to 138/1
- Power ratings up to 18HP
- 316 Stainless steel housings and shafts
- Smooth surface finish
- High pressure seals configured for severe high pressure and chemical washdown environments
- BISSC Certified and HACCP compatible
- Packaged with LEESON Washguard® all-stainless motors

Single Reduction Helical Ratio Multiplier



Ratio	lp HP	Op Tq
2.056	4.69	347
2.929	3.64	384
4.000	2.91	419
5.111	2.33	428
7.461	1.56	419

Double Reduction Helical Inline Drive



Model SSHI 4042			Model SSHI 4062		
Ratio	lp HP	Op Tq	Ratio	lp HP	Op Tq
2.63	11.2	1020	2.57	18.6	1650
2.95	10.4	1060	3.08	16.5	1760
3.31	9.61	1100	3.90	13.9	1880
3.72	9.10	1170	4.52	12.6	1970
4.21	8.79	1280	5.98	15.8	3260
4.78	7.75	1280	7.16	13.5	3340
5.47	6.77	1280	9.06	11.0	3450
5.87	6.31	1280	10.52	10.1	3680
6.13	6.79	1440	13.75	8.22	3910
6.86	6.16	1460	16.43	7.04	4000
7.70	5.56	1480	17.50	6.63	4010
8.67	5.17	1550	20.00	5.83	4030
9.80	4.75	1610	21.47	5.44	4040
11.14	4.41	1700	25.00	4.69	4050
12.74	3.95	1740	27.14	4.33	4060
13.67	3.77	1780	29.62	3.97	4070
16.66	3.13	1800	32.50	3.64	4090
20.77	2.52	1810	35.91	3.30	4100
25.04	2.10	1820	45.00	2.64	4110
28.79	1.84	1830	51.25	2.33	4120
36.56	1.46	1840			
44.10	1.21	1850			
50.47	1.01	1770			

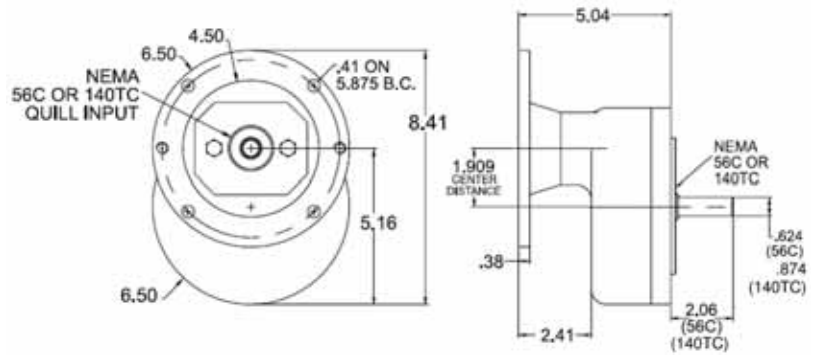
Triple Reduction Helical Bevel Drive



Model SSHB 2043			Model SSHB 2063		
Ratio	lp HP	Op Tq	Ratio	lp HP	Op Tq
6.53	10	2210	6.22	12	2530
7.31	9.0	2230	7.46	11	2880
9.24	7.5	2350	9.44	10	3250
12.07	7.6	3100	11.25	11	4060
13.51	6.9	3150	13.48	12	5320
17.08	5.8	3350	17.06	9.9	5720
21.94	4.8	3540	19.8	9.2	6200
25.10	4.2	3540	25.89	7.4	6500
30.37	3.4	3540	30.51	6.8	7000
38.38	2.7	3540	38.61	5.5	7150
49.31	2.1	3540	44.81	4.8	7250
56.41	1.9	3540	58.58	3.7	7260
73.76	1.4	3540	69.99	3.1	7260
91.94	1.1	3540	74.56	2.9	7260
110.88	0.9	3540	85.21	2.5	7260
127.45	0.8	3540	91.47	2.3	7260
			106.51	2.0	7260
			115.64	1.9	7260
			126.17	1.7	7260
			138.46	1.5	7260

Single Reduction Stainless Steel Helical Ratio Multiplier Model SSRM1

Available in NEMA 56C or 140TC input and output configurations. Ideal for use between a stainless steel motor and a C-face stainless steel gear drive to gain needed additional gear reduction.



Double Reduction Stainless Steel Helical Inline Models SSHI 4042 and SSHI 4062

Gearcase

Model	A	AD	B	BA	D	E	F	H	OA
SSHI4042E	5.72	6.61	6.30	2.95	3.54 ⁺⁰ _{-.02}	4.33	5.12	0.39	6.68
SSHI4062E	7.48	7.93	7.87	3.94	4.53 ⁺⁰ _{-.02}	5.32	6.50	0.53	8.48

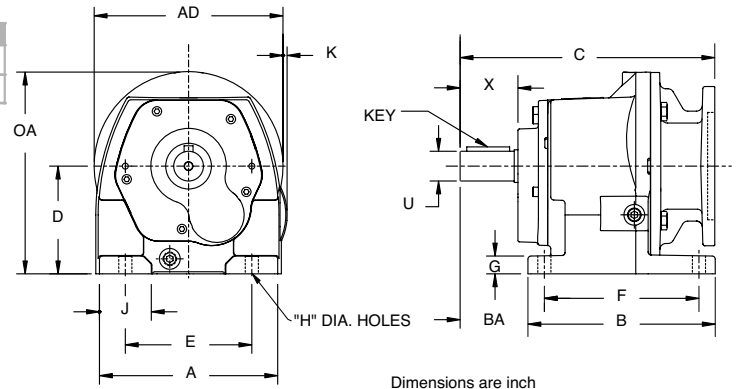
Output Shaft

Model	U	X	KEY
SSHI4042E	1.000 ⁺⁰ _{-.001}	2.12	1/4 x 1/4 x 1-1/2
SSHI4062E	1.375 ⁺⁰ _{-.001}	2.83	5/16 x 5/16 x 1-3/4

Motor Compatibility - NEMA

Model		NEMA			
		56C	143TC	182TC	213TC
SSHI4042E	C	9.90	9.90	11.21	-
SSHI4062E	C	11.10	11.10	12.12	12.12

◇ SSHI4062E also available with 1.250" output shaft



Triple Reduction Stainless Steel Helical Bevel Models SSHB 2043 and SSHB 2063



Gearcase

Model	B	D	DB	E	EJ	F	FA	FB	H	J
SSHB2043E*	5.71	4.41 ⁺⁰ _{-.02}	0.47	5.12	5.12	4.72	1.38	1.46	M10 x 1.5	0.63
SSHB2063E*	6.92	5.51 ⁺⁰ _{-.02}	0.62	4.72	6.30	5.51	1.18	1.77	M12 x 1.75	0.95

Gearcase

Model	OA	Q	QB	WG	XB	XC	XJ
SSHB2043E*	7.48	9.82	2.80	2.85	M8 x 1.25	0.63	3.875
SSHB2063E*	8.98	11.13	3.54	3.46	M10 x 1.5	0.66	4.750

Output Shaft

Model	BA	EA1	U1	V	KEY	M	N
SSHB2043E*	2.95	5.31	1.250 ⁺⁰ _{-.001}	2.04	1/4 x 1/4 x 1-1/2	1/2 - 13UNC	1.20
SSHB2063E*	3.98	6.73	1.625 ⁺⁰ _{-.001}	2.88	3/8 x 3/8 x 2-1/4	5/8 - 11UNC	1.38

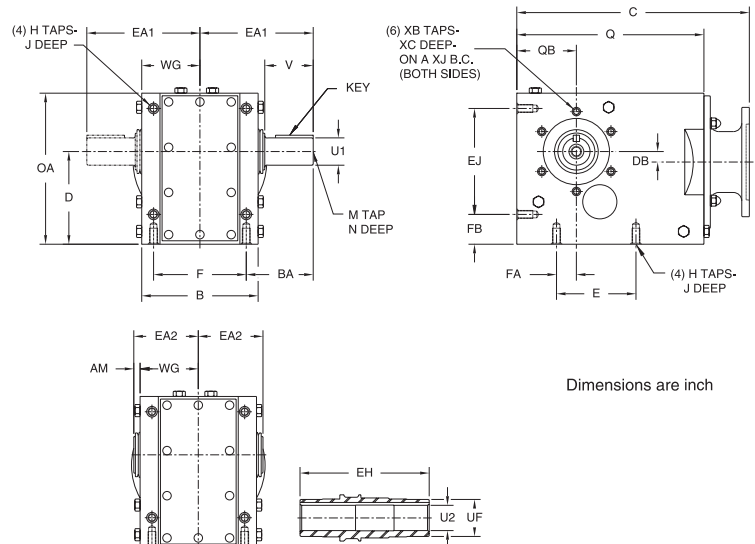
Output Sleeve

Model	AM	EA2	EH	U2	UF	KEY
SSHB2043ES	0.48	3.34	6.67	1.375 ^{+0.0025} _{-.0}	1.97	(2) 5/16 x 5/16 x 1-13/16
SSHB2063ES	0.38	3.84	7.68	1.500 ^{+0.0025} _{-.0}	2.20	(2) 3/8 x 3/8 x 2-1/4

Motor Compatibility - NEMA

Model		NEMA		
		56C	143TC	182TC
SSHB2043E*	C	12.43	12.43	13.80
SSHB2063E*	C	13.83	13.83	14.85

* Specify Output Style - D:Double, L:Left, R:Right, S:Sleeve (Hollow Bore)



Dimensions are inch

Stainless Steel Helical Bevel and Stainless Steel Helical Inline are available with shaft input. Consult factory for details.



2914 Industrial Avenue P.O. Box 1089 Aberdeen, SD 57402

CALL: (605) 225-0360 FAX: (605) 225-0567

sales@hubcityinc.com www.hubcityinc.com

6214H-SK-8/08-2.5k-WP

